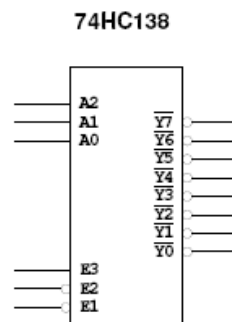


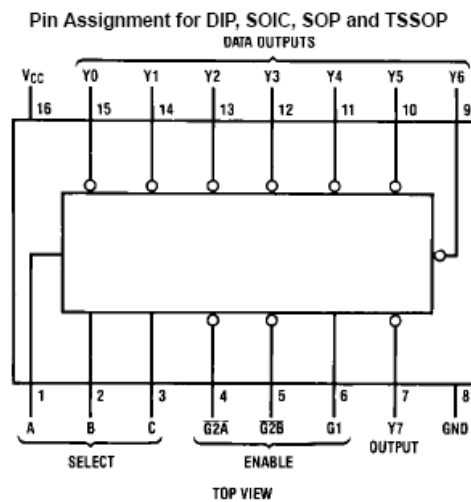
- The 9S12 in Expanded Mode - Using MSI logic to build ports
- Huang Chapter 14

Using MSI Logic to build an output port

- Many designs use standard MSI logic for microprocessor expansion
- This provides an inexpensive way to expand microprocessors
- One MSI device often used in such expansions is a decoder, such as the 74HC138 decoder chip



Connection Diagram



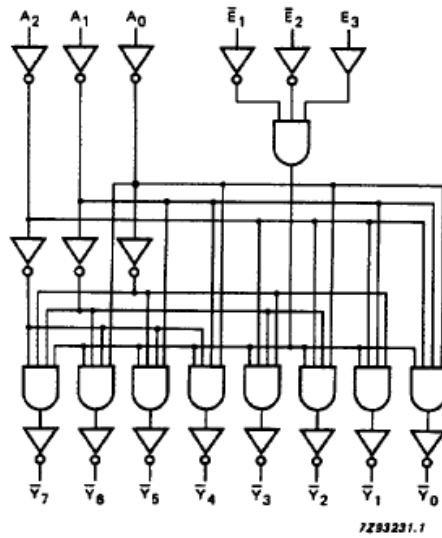


Fig.5 Logic diagram.

When E3 high, E2 and E1 low, one of the outputs of the 74138 will go low.

| A2 | A1 | A0 | Output |
|----|----|----|--------|
| 0 | 0 | 0 | Y0 |
| 0 | 0 | 1 | Y1 |
| 0 | 1 | 0 | Y2 |
| 0 | 1 | 1 | Y3 |
| 1 | 0 | 0 | Y4 |
| 1 | 0 | 1 | Y5 |
| 1 | 1 | 0 | Y6 |
| 1 | 1 | 1 | Y7 |

- A 74HC138 decoder can be used to select a range of addresses
- The outputs of the 74HC138 are used to select up to 8 different devices
- The enable inputs are used to determine when one of the 8 different devices should be selected
- Because the data part of the memory cycle occurs when E is high, the active high enable input is usually connected to the HCS12's E clock
- The active low enable inputs are usually connected to highest-order address lines (A15 and A14), or to combinational logic which is driven by highest-order address lines

- The address inputs of the 74HC138 are usually connected to the next highest-order address bits. Sometimes the low-order address input is connected to the R/W line of the HCS12 to allow separate selection of input and output devices
- For example, A15 and $\overline{A14}$ are connected to the active low enable inputs. This means that one of the outputs will be selected only when A15 and A14 are low, or for the address range 0x4000 to 0x7fff
- A13, A12 and A11 are connected to the three address inputs of the 74HC138. For example, address Y5 will be low when A13 A12 A11 are 1 0 1. Thus Y5 will be select for addresses from 0110-1000-0000-0000₂ to 0110-1111-1111-1111₂, or from 0x6800 to 0x6fff
- The Y5 output may be connected to a device which needs only one address
 - In this case, the device will be accessed with any address from 0x2fff to 0x6800
 - This is called partial address decoding — to save expense, we do not decode all address lines, but only enough to put in the number of devices we need
 - We also need to demultiplex only those address lines we decode, which also saves some expense

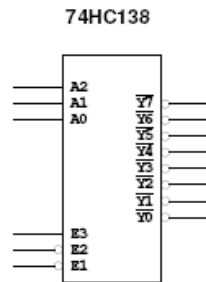
HCS12 Memory Map (Expanded Mode)

| | |
|--------|-----------------|
| 0x0000 | REGISTERS |
| 0x03FF | |
| 0x0400 | EEPROM |
| 0x0FFF | |
| 0x1000 | RAM |
| 0x3BFF | |
| 0x3C00 | RAM |
| 0x3FFF | |
| 0x4000 | OPEN |
| 0x7FFF | |
| 0x8000 | BANKED FLASH |
| 0xBFFF | EEPROM |
| 0xC000 | FLASH EEPROM |
| 0xFFFF | |

Can map external device into any unused space.

When using Altera for address decoding, can select any desired address.

Can map using less expensive chip like 74HC138.



Want to select external device when E is high — Connect E to E3

Will use A15 and A14 as the other enables.

This will divide memory into 1/4 of total

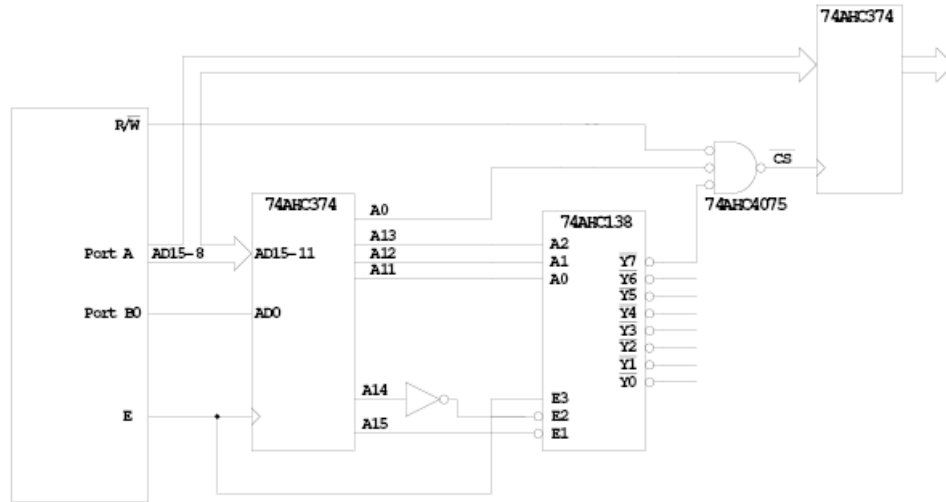
| A15 | A14 | Chip enabled? |
|-----|-----|-----------------|
| 0 | 0 | 0x0000 – 0x3fff |
| 0 | 1 | 0x4000 – 0x7fff |
| 1 | 0 | 0x8000 – 0xbfff |
| 1 | 1 | 0xc000 – 0xffff |

A Simple Output Port

- We will use some MSI chips to implement a simple output port
- We will use a 74HC374 chip as our output port — this is a chip which has 8 flip-flops
- We need to demultiplex several of the address lines. We will use another 74HC374 chip to do this
- We will use a 74AHC138 decoder chip to select the output port.
- For this example we will select the output port based on output Y7 from the 74AHC138. For the connections shown of the next page, A15 and A14 must be low, and A13, A12 and A11 must be high to select output Y7. Thus, the output port will be selected for addresses in the range 0x7800 to 0x7fff
- The address port needs to be connected to 8 bits of the address/data bus. We must connect it to either the high (even) byte (AD15-8) or the low (odd) byte (AD7-0). For this example we will connect it to the high byte
- We need to select the output port only when we write to an even address in the range 0x7800 to 0x7fff. In addition to address Y7 being active (low), the R/W line must be low

(to indicate a write) and A0 must be low (to indicate an even address). We will use a 3-input OR gate to do this.

- Now, a write to any even address between 0x7800 and 0x7fff will write data to the output port



Simple output port for the HC12.

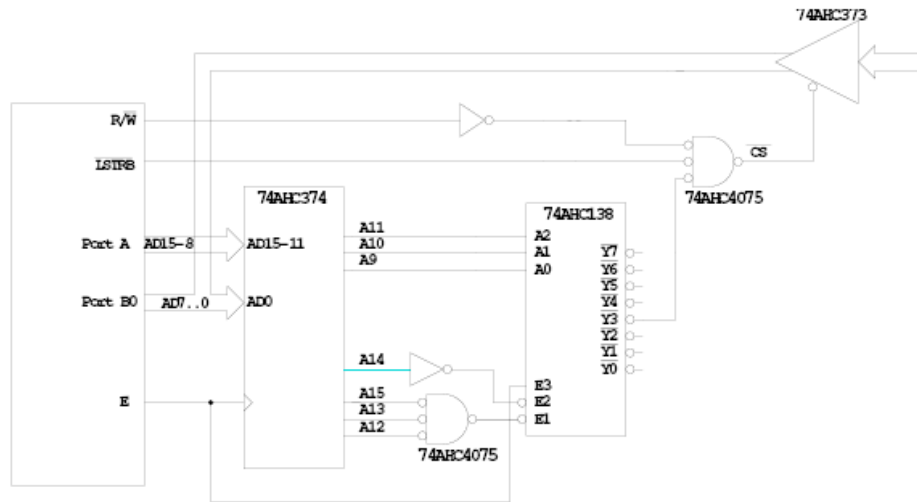
When address is between 0x7800 and 0x7fff and E is high, Y7 will go low

On a write to an even address in this range, CS will go low

Data on AD15-8 will be latched into port when CS goes high

A Simple Input Port

- We will design a simple input port in a similar manner
- We will narrow the range of addresses used by using more high-order address lines to enable the 74AHC138. In the example shown, the address range of a single output is 512 bytes. For the output port example above, the range was 2 kB
- For an input port we need a tri-state buffer
- In this example we connect the tri-state buffer to the low (odd) data byte
- To access the chip for odd address, we need to select the chip only when LSTRB is low



Simple input port for the HC12.

When address is between 0x4600 and 0x47ff and E is high, Y3 will go low

On a read from an odd address in this range, CS will go low

Data from the tri-state buffer will be driven onto AD7-0

The HC12 will latch the data into internal registers when E goes from high to low

A Simple Input-Output Port

- The next example shows another way to connect the 74HC138 chip to select input and output devices
- We connect A0 to one of the active low enable inputs. The 74HC138 will select a device only when A0 is low — only for even addresses
- We connect R/W to the low-order address input of the 74HC138
 - To select Y0, Y2, Y4 or Y6, R/W must be low. Thus, the devices selected by Y0, Y2, Y4 and Y6 are output devices (devices the HCS12 writes to).
 - To select Y1, Y3, Y5 or Y7, R/W must be high. Thus, the devices selected by Y1, Y3, Y5 and Y7 are input devices (devices the HCS12 reads from).

Simple Input and Output Ports

