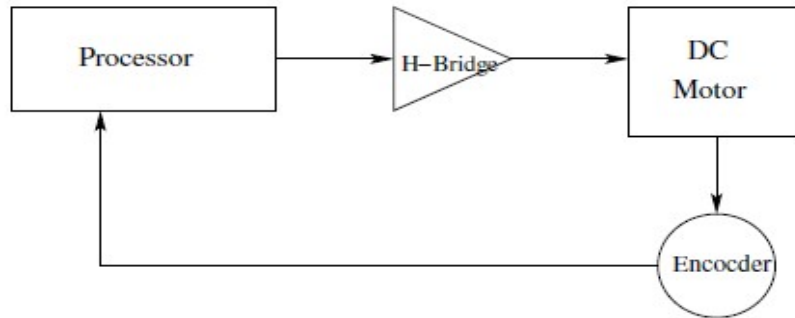


- **The MC9S12 Pulse Width Modulation System**
 - Introduction to PWM
 - Review of the Output Compare Function
 - Using Output Compare to generate a PWM signal
 - Registers used to enable the Output Capture Function
 - The MC9S12 PWM system

Pulse Width Modulation

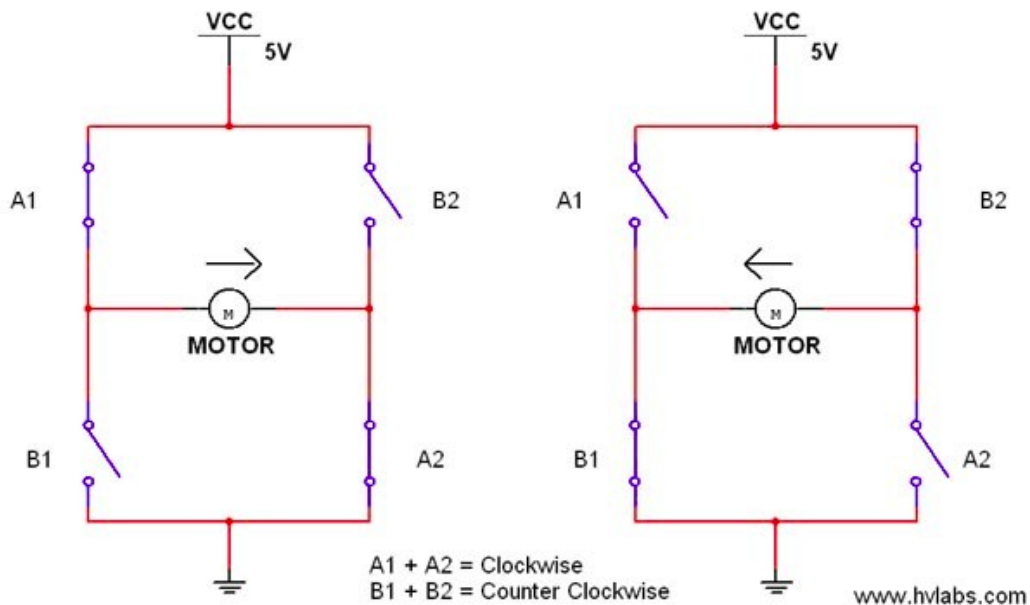
- Often want to control something by adjusting the percentage of time the object is turned on
- For example,
 - A heater
 - A light
 - A DC motor
- Can use Output Compare to generate a PWM signal
- What frequency should you use for PWM?
 - A heater - ?
 - A light - ?
 - A DC motor - ?
 - A heater - period of seconds
 - A light - > 100 Hz
 - A DC motor
 - * Big motor { 10 Hz
 - * Small motor { kHz
- Suppose you are controlling four motors, each at 10 kHz
 - Need to handle 40,000 interrupts/second
 - Each interrupt takes about 1 μ s
 - 4% of time spent servicing interrupts

Close loop motor control of DC motors



Closed Loop Motor Control

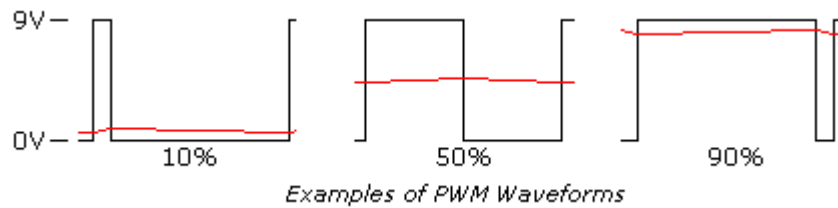
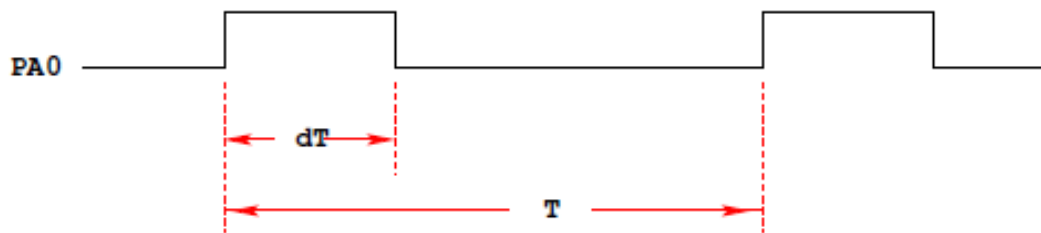
Simplified H-Bridge diagram



Using the MC9S12 Output Compare Function to generate a PWM signal

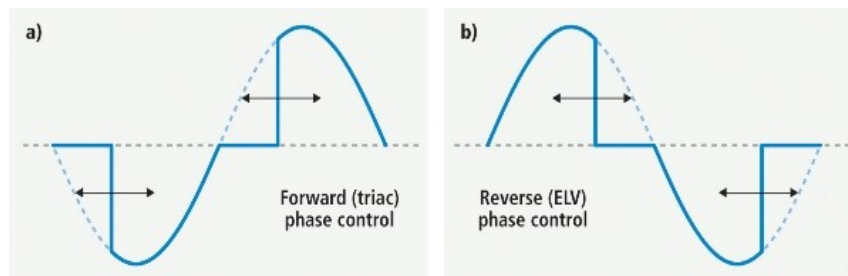
Want a Pulse Width Modulated signal

Want to produce pulse with width dT , period T



Applications of PWM systems

-Illumination control



-Heater control

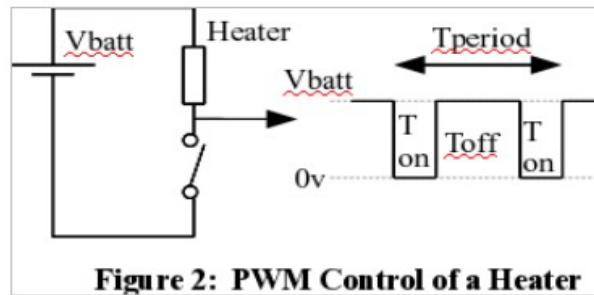
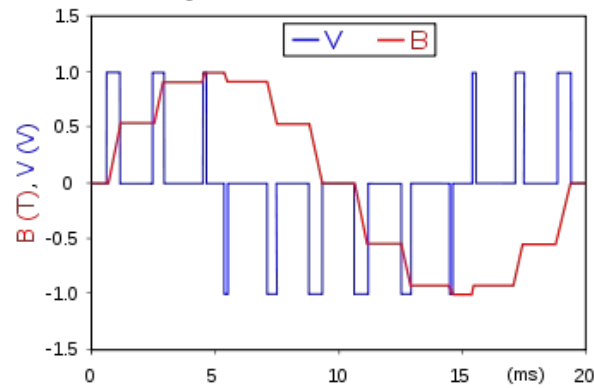
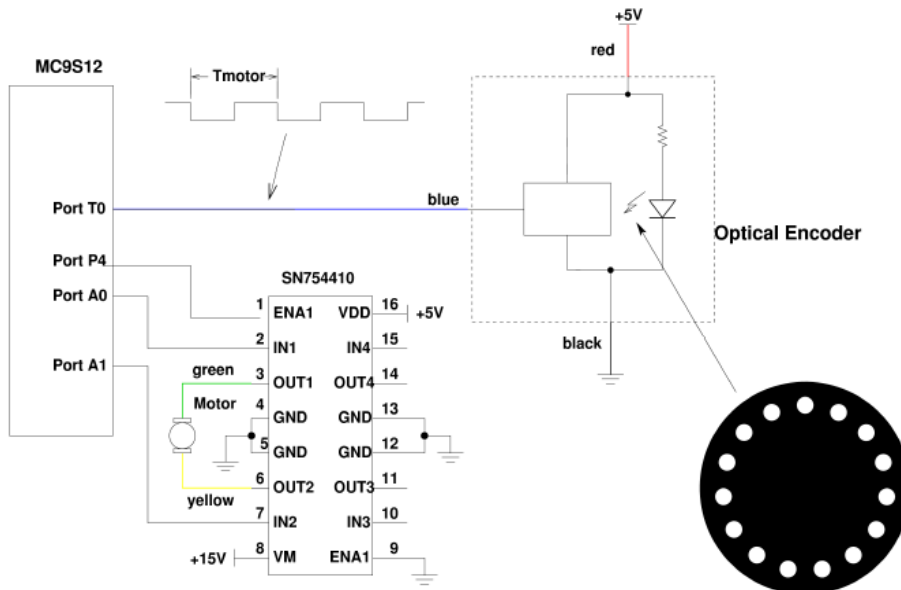


Figure 2: PWM Control of a Heater

-Generation of AC signals



-Motor control



Want a Pulse Width Modulated signal

Want to produce pulse with width dT , period T

Wait until $TCNT == 0x0000$, then bring PA0 high

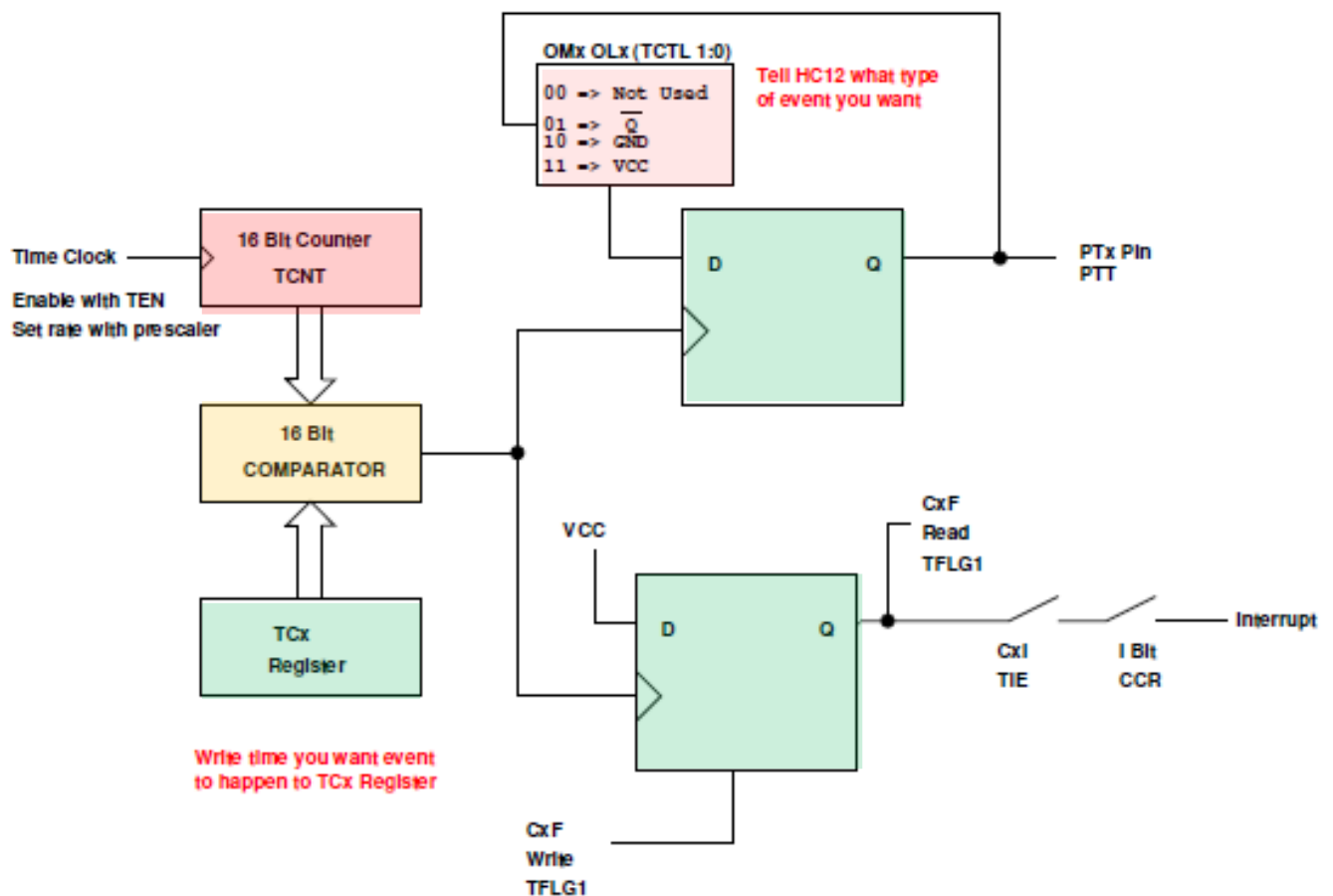
Wait until $TCNT == dT$, then bring PA0 low

Wait until $TCNT == T$, then bring PA0 high

```
while (TCNT != 0x0000) ;           // Wait for count of 0000
PORTA = PORTA | BIT0;             // Bring PA0 high
while (TCNT != dT) ;              // Wait for count of dT
PORTA = PORTA & ~BIT0;            // Bring PA0 low
while (TCNT != T) ;               // Wait for count of T
PORTA = PORTA | BIT0;             // Bring PA0 high again
```

Output Compare PORT T 0-7

To use Output Compare, you must set IOSx to 1 in TIOS



How to use Output Compare Function to generate a PWM signal

- The MC9S12 allows you to force an event to happen on any of the eight PORTT pins
- An external event is a rising edge, a falling edge, or a toggle
- To use the Output Compare Function:
 - Enable the timer subsystem (set TEN bit of TSCR1)
 - Set the prescaler
 - Tell the MC9S12 that you want to use Bit x of PTT for output compare
 - Tell the MC9S12 what you want to do on Bit x of PTT (generate rising edge, falling edge, or toggle)
 - Tell the MC9S12 what time you want the event to occur
 - Tell the MC9S12 if you want an interrupt to be generated when the event is forced to occur

Using Output Compare on the MC9S12

1. In the main program:

- (a) Turn on timer subsystem (TSCR1 reg)
- (b) Set prescaler (TSCR2 reg)
- (c) Set up PTx as OC (TIOS reg)
- (d) Set action on compare (TCTL 1-2 regs, OMx OLx bits)

OMx	OLx	Action
0	0	Disconnected
0	1	Toggle
1	0	Clear
1	1	Set

- (d) Clear Flag (TFLG1 reg)
- (f) Enable int (TIE reg)

2. In interrupt service routine

- (a) Set time for next action to occur (write TCx reg)
 - For periodic events add time to TCx register
- (b) Clear flag (TFLG1 reg)

```
/*
 * Program to generate PWM signal on PT2. Frequency of PWM is 1 kHz
 * (1 ms period) PWM duty cycle is 10% (high for 100 us) set prescaler to 0
 * for a 2.73 ms overflow period 1 ms is 24,000 cycles of 24 MHz clock
 */
#include <hidef.h>      /* common defines and macros */
#include "derivative.h" /* derivative-specific definitions */
#include "vectors12.h"

#define PERIOD 24000
#define LOW 0
#define HIGH 1

#define disable() __asm(sei)
#define enable() __asm(cli)

interrupt void toc2_isr(void);
char pwm_state;      /* Tell ISR if PWM is currently low or high */
unsigned int high_time; /* Tell ISR how many cycles to keep PWM high */

void main(void )
{
    float duty_cycle;

    disable();
    TSCR1 = 0x80;      /* Turn on timer subsystem */
    TSCR2 = 0x00;      /* Set prescaler to divide by 1 */
    TIOS = TIOS | 0x04; /* Configure PT2 as Output Compare */
    TCTL2 = (TCTL2 | 0x30); /* Set up PT2 to go high on compare */
    TFLG1 = 0x04;      /* Clear Channel 2 flag */
    /
    * Set interrupt vector for Timer Channel 2 */
    UserTimerCh2 = (unsigned short) &toc2_isr;
    TIE = TIE | 0x04;  /* Enable interrupt on Channel 2 */
}
```

```
pwm_state = LOW;      /* Start with PWM low */
duty_cycle = 0.10;    /* Initial duty cycle */
high_time = duty_cycle*PERIOD; /* Cycles PWM should be high */

enable();

while (1)
{
    /* Code to adjust duty cycle to set speed to desired value */
}

interrupt void toc2_isr(void)
{
    if (pwm_state == LOW) {
        TC2 = TC2 + high_time;      /* Stay high for duty cycle */
        TCTL2 = (TCTL2 & ~0x10); /* Set up PT2 to go low on */
                                   /* next compare */

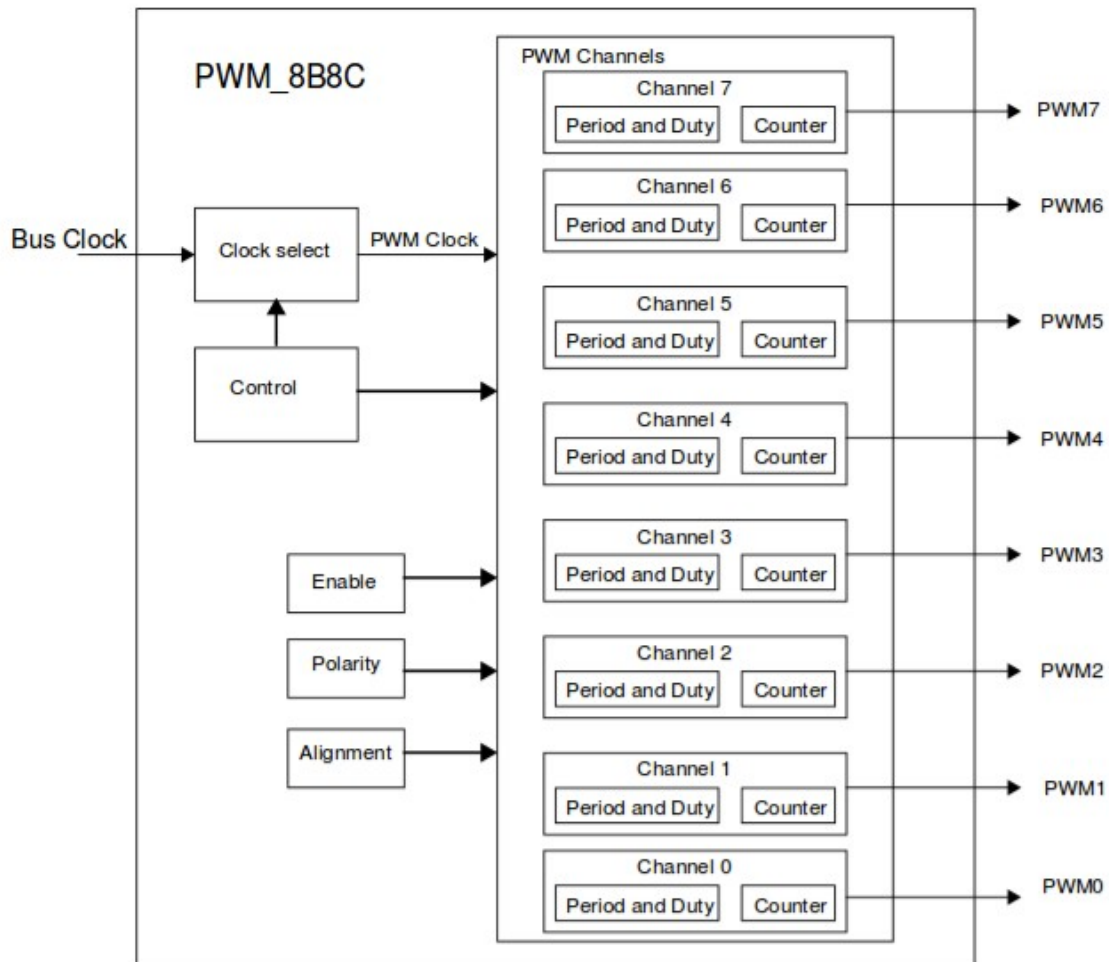
        pwm_state = HIGH;
    }
    else {
        TC2 = TC2 + (PERIOD - high_time); /* Stay low until */
                                           /* period over */
        TCTL2 = (TCTL2 | 0x30); /      * Set up PT2 to go high on */
                                           /* next compare */

        pwm_state = LOW;
    }
    TFLG1 = 0x04;
}
```

- **Question: What are restrictions on minimum and maximum duty cycles?**
- **Can you have 0% duty cycle?**
- **Can you have 100% duty cycle?**

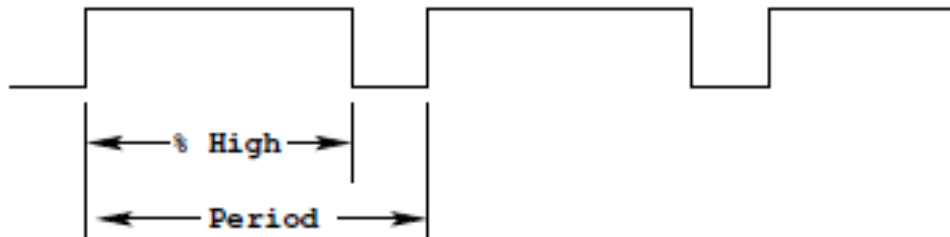
Pulse Width Modulation on the MC9S12

- Because PWM is used so often the MC9S12 has a built-in PWM system
- The MC9S12 PWM does not use interrupts
- The PWM system on the MC9S12 is very flexible
 - It allows you to set a wide range of PWM frequencies
 - It allows you to generate up to 8 separate PWM signals, each with a different frequency
 - It allows you to generate eight 8-bit PWM signals (with 0.5% accuracy) or four 16-bit PWM signals (with 0.002% accuracy)
 - It allows you to select high polarity or low polarity for the PWM signal
 - It allows you to use left-aligned or center-aligned PWM signals
- Because the MC9S12 PWM systems is so flexible, it is fairly complicated to program
- To simplify the discussion we will only discuss 8-bit, left-aligned, high-polarity PWM signals.



- Full information about the MC9S12 PWM subsystem can be found in [Pulse Width Modulation Block Users Guide](#)

Pulse Width Modulation



Need a way to set the PWM period and duty cycle

The MC9S12 sets the PWM period by counting from 0 to some maximum count with a special PWM clock

$$\text{PWM Period} = \text{PWM Clock Period} \times \text{Max Count}$$

Once the PWM period is selected, the PWM duty cycle is set by telling the HC12 how many counts it should keep the signal high for

$$\text{PWM Duty Cycle} = \text{Count High} / \text{Max Count}$$

The hard part about PWM on the MC9S12 is figuring out how to set the PWM Period

The MC9S12 Pulse Width Modulation System

- The PWM outputs are on pins 0 through 7 of Port P
 - On the Dragon12-Plus board, pins 0 through 3 of Port P control the seven-segment LEDs.
 - If you want to use the seven-segment LEDs in addition to PWM, you will need to use PWM channels 4 through 7
- There are 33 registers used by the PWM subsystem
- You don't need to work with all 33 registers to activate PWM
- To select 8-bit mode, write a 0 to Bits 7, 6, 5 and 4 of PWMCTL register.
- To select left-aligned mode, write 0x00 to PWMCAE.
- To select high polarity mode, write a 0xFF to PWMPOL register.

- To set the period for a PWM channel you need to program bits in the following PWM registers:

- For Channel 0 the registers are PWMCLK, PWMPRCLK, PWMSCLA and PWMPER0
- For Channel 1 the registers are PWMCLK, PWMPRCLK, PWMSCLA and PWMPER1
- For Channel 2 the registers are PWMCLK, PWMPRCLK, PWMSCLB and PWMPER2
- For Channel 3 the registers are PWMCLK, PWMPRCLK, PWMSCLB and PWMPER3
- For Channel 4 the registers are PWMCLK, PWMPRCLK, PWMSCLA and PWMPER4
- For Channel 5 the registers are PWMCLK, PWMPRCLK, PWMSCLA and PWMPER5
- For Channel 6 the registers are PWMCLK, PWMPRCLK, PWMSCLB and PWMPER6
- For Channel 7 the registers are PWMCLK, PWMPRCLK, PWMSCLB and PWMPER7

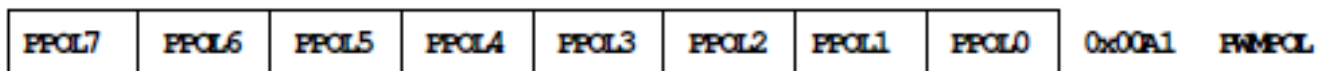
- To set the duty cycle for a PWM channel you need to write to the PWDTYn register for Channel n.

- To enable the PWM output on one of the pins of Port P, write a 1 to the appropriate bit of PWME



Set PWME_n = 1 to enable PWM on Channel n

If PWME_n = 0, Port P bit n can be used for general purpose I/O



PWMPOL_n – Choose polarity 1 => high polarity 0 => low polarity

We will use high polarity only. PWMPOL = 0xFF;

With high polarity, duty cycle is amount of time output is high

PCLK7	PCLK6	PCLK5	PCLK4	PCLK3	PCLK2	PCLK1	PCLK0	0x00A2	PWMCLK
-------	-------	-------	-------	-------	-------	-------	-------	--------	--------

PWMCLK_n – Choose clock source for Channel n

CH5, CH4, CH1, CH0 can use either A (0) or SA (1)
CH7, CH6, CH3, CH2 can use either B (0) or SB (1)

$$SB = \frac{B}{2 \times F_{WMSCLB}} \quad SA = \frac{A}{2 \times F_{WMSCLA}}$$

0	PCKB2	PCKB1	PCKB0	0	PCKA2	PCKA1	PCKA0	0x00A3	PWMPCLK
---	-------	-------	-------	---	-------	-------	-------	--------	---------

This register selects the prescale clock source for clocks A and B independently

PCKA[2-0] – Prescaler for Clock A $A = 24 \text{ MHz} / 2^{(PCKA[2-0])}$

PCKB[2-0] – Prescaler for Clock B $B = 24 \text{ MHz} / 2^{(PCKB[2-0])}$

CAE7	CAE6	CAE5	CAE4	CAE3	CAE2	CAE1	CAE0	0x00A4	PWMCAE
------	------	------	------	------	------	------	------	--------	--------

Select center aligned outputs (1) or left aligned outputs (0)

Choose PWMCAE = 0x00 to choose left aligned mode

CON67	CON45	CON23	CON01	PSWAI	PPRZ	0	0	0x00A5	PWMCTL
-------	-------	-------	-------	-------	------	---	---	--------	--------

CONxy – Concatenate PWMx and PWMy into one 16 bit PWM

Choose PWMCTL = 0x00 to choose 8-bit mode

BIT 7	BIT 6	BIT 5	BIT 4	BIT 3	BIT 2	BIT 1	BIT 0	0x00A8	PWMSCLA
-------	-------	-------	-------	-------	-------	-------	-------	--------	---------

PWMSCLA adjusts frequency of Clock SA

BIT 7	BIT 6	BIT 5	BIT 4	BIT 3	BIT 2	BIT 1	BIT 0	0x0098	PWMSCLB
-------	-------	-------	-------	-------	-------	-------	-------	--------	---------

PWMSCLB adjusts frequency of Clock SB

PWMPERx sets the period of Channel n

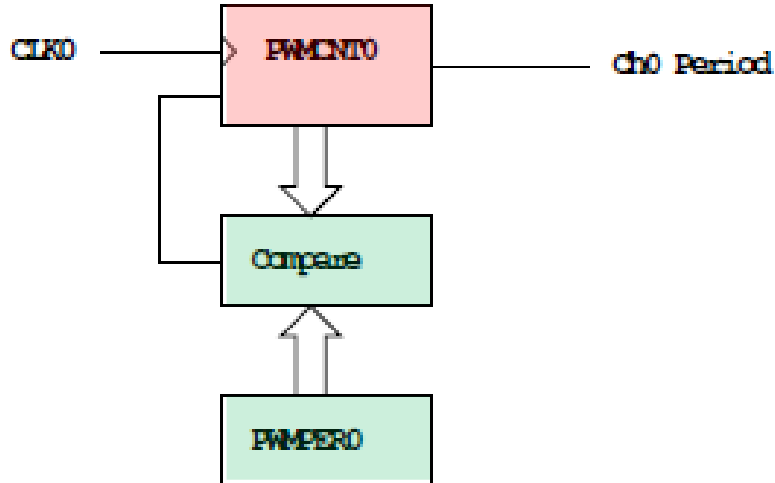
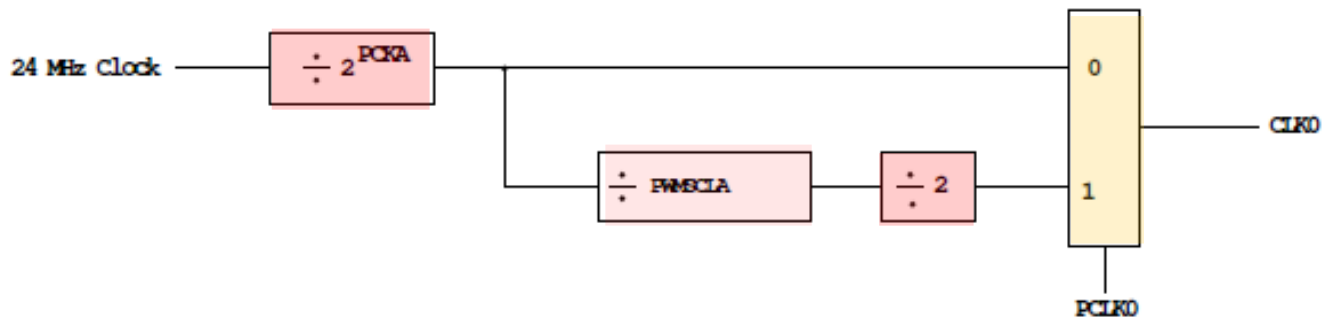
$$\text{PWM Period} = \text{PWMPER}_n \times \text{Period of PWM Clock } n$$

PWMDTYx sets the duty cycle of Channel n

$$\text{PWM Duty Cycle} = \text{PWMDTY}_n / \text{Period} \times 100\%$$

Clock Select for PWM Channel 0

You need to set PCKA, PWSCALA, PCLK0, and PWPER0



PWMCNT0 counts from **0** to **PWMPER0 - 1**

It takes PWMPER0 periods of CLK0 to make one Ch0 period

Ch0 Period = PWMPER0 x CLK0 Period

$$= \begin{cases} \text{PWMPER0} \times (2^{\text{PCKA}}) & (\text{PCLK0} = 0) \\ \text{PWMPER0} \times (2^{\text{PCKA}+1}) \times \text{PWMSCLA} & (\text{PCLK0} = 1) \end{cases}$$

How to set the Period for PWM Channel 0

- To set the period for PWM Channel 0:
 - Set the PWM Period register for Channel 0, **PWMPER0**
 - **CLK0**, the clock for Channel 0, drives a counter (**PWCNT0**)
 - **PWCNT0** counts from **0** to **PWMPER0 – 1**
 - The period for PWM Channel 0 is **PWMPER0 × Period of CLK0**

- There are two modes for the clock for PWM Channel 0
 - You select the mode by the **PCLK0** bit:
 - If **PCLK0 == 0**, **CLK0** is generated by dividing the 24 MHz clock by 2^{PCKA} , where **PCKA** is between 0 and 7
 - If **PCLK0 == 1**, **CLK0** is generated by dividing the 24 MHz clock by $2^{\text{PCKA}+1} \times \text{PWSCALA}$, where **PCKA** is between 0 and 7 and **PWSCALA** is between 0 and 255 (a value of 0 gives a divider of 256)

- The Period for PWM Channel 0 (in number of 41.67 ns cycles) is calculated by

$$\text{Period} = \begin{cases} \text{PWMPER0} \times 2^{\text{PCKA}} & \text{if } \text{PCLK0} == 0 \\ \text{PWMPER0} \times 2^{\text{PCKA}+1} \times \text{PWMSCLA} & \text{if } \text{PCLK0} == 1 \end{cases}$$

- With $PCLK0 == 0$, the maximum possible PWM period is 1.36 ms
- With $PCLK0 == 1$, the maximum possible PWM period is 0.695 s
- To get a 0.5 ms PWM period, you need 12,000 cycles of the 24 MHz clock.

$$12,000 = \begin{cases} PWMPER0 \times 2^{PCKA} & \text{if } PCLK0 == 0 \\ PWMPER0 \times 2^{PCKA+1} \times PWMSCLA & \text{if } PCLK0 == 1 \end{cases}$$

- You can do this in many ways

– With $PCLK0 = 0$, can have

PCKA	PWMPER0	Precision
6	187	Approx.
7	94	Approx.

– With $PCLK0 = 1$, can have

PCKA	PWMSCLA	PWMPER0	Precision
0	24	250	Exact
0	25	240	Exact
0	30	200	Exact
1	12	250	Exact
1	15	200	Exact
2	6	250	Exact
2	10	150	Exact

and many other combinations

- You want PWMPER0 to be large (say, 100 or larger)
 - If PWMPER0 is small, you don't have much control over the duty cycle
 - For example, if PWMPER0 = 4, you can only have 0%, 25%, 50%, 75% or 100% duty cycles
- Once you choose a way to set the PWM period, you can program the PWM registers
- For example, to get a 0.5 ms period, let's use PCLK0 = 1, PCKA = 0, PWMSCLA = 30, and PWMPER0 = 200
- We need to do the following:

– Write 0x00 to PWMCTL (to set up 8-bit mode)
– Write 0xFF to PWMPOL (to select high polarity mode) **Do not Change**
– Write 0x00 to PWMCAE (to select left aligned mode)

– Write 0 to Bits 2,1,0 of PWMPCRCLK (to set PCKA to 0)
– Write 1 to Bit 0 of PWMCLK (to set PCLK0 = 1)
– Write 30 to PWMSCLA
– Write 200 to PWMPER0
– Write 1 to Bit 0 of PWME (to enable PWM on Channel 0)
– Write the appropriate value to PWMDTY0 to get the desired duty cycle (e.g., PWMDTY0 = 120 will give 60% duty cycle)

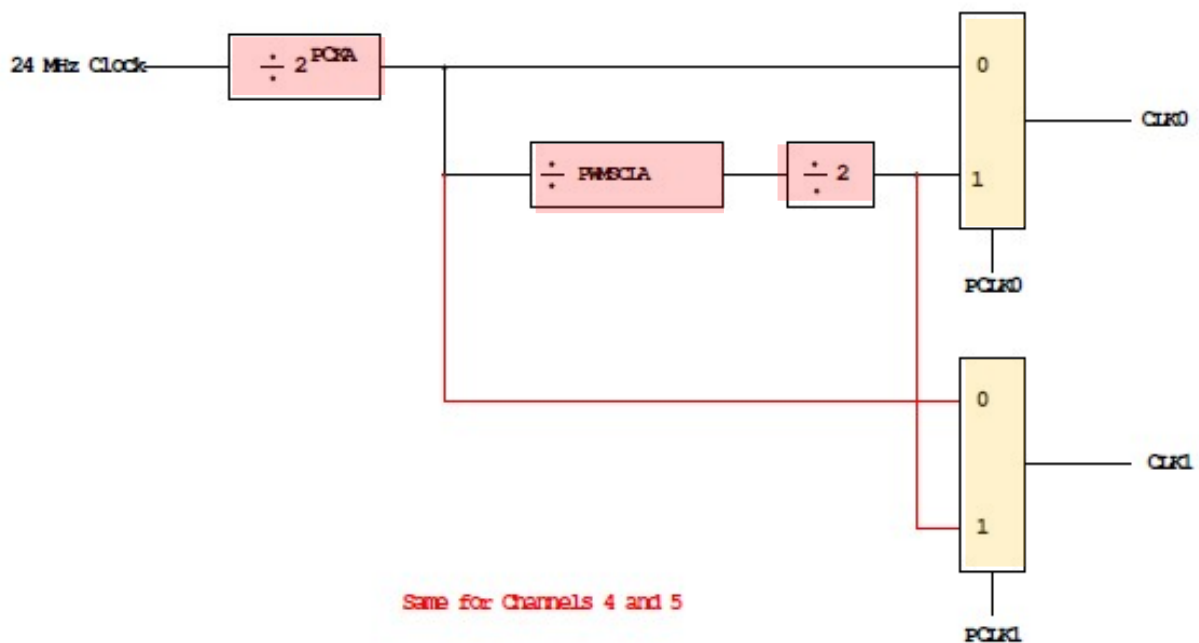
C code to set up PWM Channel 0 for 0.5 ms period (2 kHz frequency) PWM with 60% duty cycle

```
PWMCTL = 0x00;          /* 8-bit Mode */
PWMPOL = 0xFF;         /* High polarity mode */
PWMCAE = 0x00;         /* Left-Aligned */

PWMPRCLK = PWMPRCLK & ~0x07; /* PCKA = 0 */
PWMCLK = PWMCLK | 0x01;     /* PCLK0 = 1 */
PWMSCLA = 30;
PWMPER0 = 200;
PWME = PWME | 0x01; /* Enable PWM Channel 0 */
PWMDTY0 = 120;      /* 60% duty cycle on Channel 0 */
```

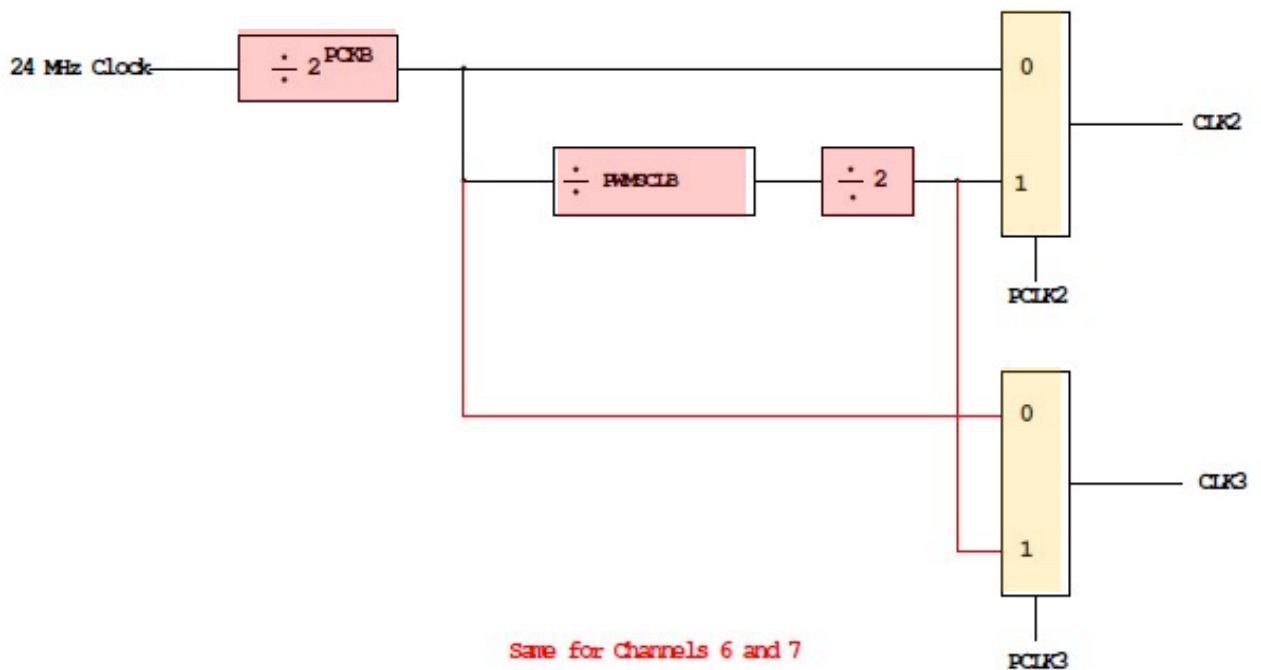

Interdependence of clocks for Channels 0, 1, 4 and 5

- The clocks for Channels 0, 1, 4 and 5 are interdependent
- They all use PCKA and PWMSCLA
- To set the clock for Channel n, you need to set PCKA, PCKn, PWMSCLA (if PCLKn == 1) and PWMPERn where n = 0, 1, 4 or 5



PWM Channels 2, 3, 6 and 7

- PWM channels 2, 3, 6 and 7 are similar to PWM channels 0, 1, 4 and 5
- To set the clock for Channel n, you need to set PCKB, PCLKn, PWMSCLB (if PCLKn == 1) and PWMPERn where n = 2, 3, 6 or 7



Using the HCS12 PWM

1. Choose 8-bit mode (PWMCTL = 0x00)
2. Choose high polarity (PWMPOL = 0xFF)
3. Choose left-aligned (PWMCAE = 0x00)
4. Select clock mode in PWMCLK:
 - **PCLKn = 0** for 2^N ,
 - **PCLKn = 1** for $2^{(N+1)} \times M$,
5. Select N in PWMPRCLK register:
 - **PCKA** for channels **5, 4, 1, 0**;
 - **PCKB** for channels **7, 6, 3, 2**.
6. If PCLKn = 1, select M
 - **PWMSCLA = M** for channels **5, 4, 1, 0**
 - **PWMSCLB = M** for channels **7, 6, 3, 2**.
7. Select PWMPERn, normally between 100 and 255.
8. Enable desired PWM channels: PWME.

9. Select PWMDTY_n, normally between 0 and PWMPER_n. Then

$$\text{Duty Cycle } n = (\text{PWMDTY}_n / \text{PWMPER}_n) \times 100\%$$

Change duty cycle to control speed of motor or intensity of light, etc.

10. For 0% duty cycle, choose PWMDTY_n = 0x00.

Program to use the MC9S12 PWM System

/*

Program to generate 15.6 kHz pulse width modulation
on Port P Bits 0 and 1

To get 15.6 kHz: $24,000,000/15,600 = 1538.5$

Cannot get exactly 1538.5

Use 1536, which is $2^9 \times 3$

Lots of ways to set up PWM to achieve this. One way is $2^3 \times 192$
Set PCKA to 3, do not use PWMSCLA, set PWMPER to 192

*/

```
#include <hidef.h>          /* common defines and macros */  
#include "derivative.h"    /* derivative-specific definitions */
```

```
void main(void)
```

```
{
```

```
    /* Choose 8-bit mode */
```

```
    PWMCTL = 0x00;
```

```
    /* Choose left-aligned */
```

```
    PWMCAE = 0x00;
```

```
    /* Choose high polarity on all channels */
```

```
    PWMPOL = 0xFF;
```

```
/* Select clock mode 0 for Channels 1 and 0 */
/* (no PWMSCLA) */
PWMCLK = PWMCLK & ~0x03;

/* Select PCKA = 3 for Channels 1 and 0 */
PWMPRCLK = (PWMPRCLK & ~0x04) | 0x03;

/* Select period of 192 for Channels 1 and 0 */
PWMPER1 = 192;
PWMPER0 = 192;

/* Enable PWM on Channels 1 and 0 */
PWME = PWME | 0x03;

/* Set duty cycle for each channel */
PWMDTY1 = 96;    /* 50% duty cycle on Channel 1 */
PWMDTY0 = 46;    /* 25% duty cycle on Channel 0 */

while (1)
{
    /* Code to adjust duty cycle to meet requirements */
}
}
```