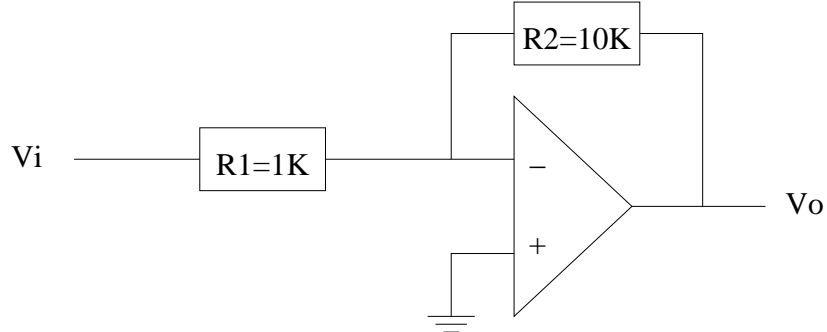
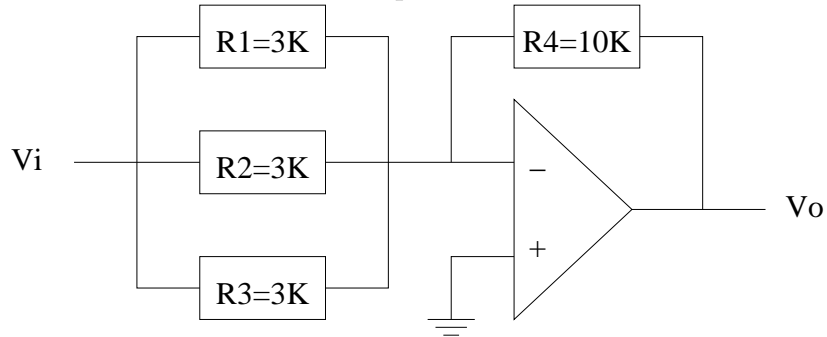


Homework 8, due April 6, 2011

1. H&H 9.5
2. Compute the gain, noise, and signal-to-noise ratio for this circuit.



3. Compute the gain, noise, and signal-to-noise ratio for this circuit. Also compare the SNR of this circuit to the SNR of the previous circuit and discuss.



4. Compute the gain, noise, and signal-to-noise ratio with respect to each of the two inputs, for this circuit. How does SNR with respect to each input depend on the signal on the other input?

