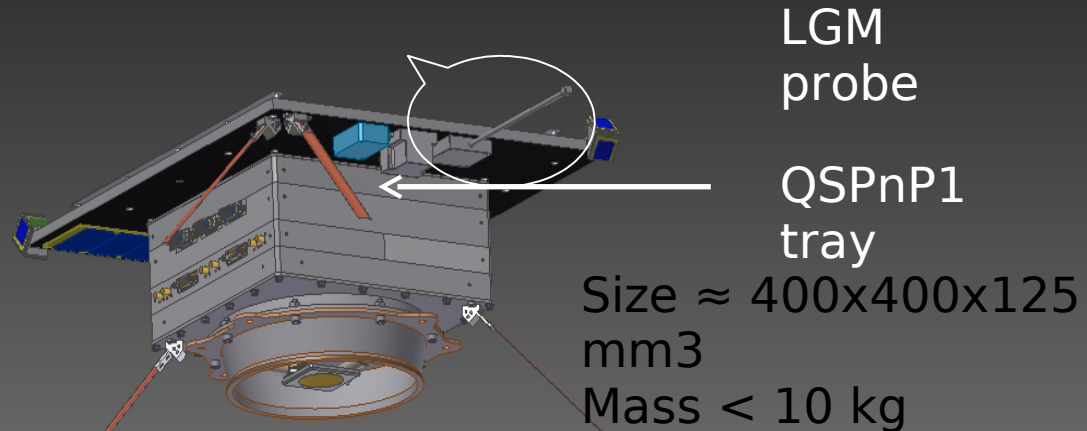


QSPnP1



QSPnP1 is the first demonstrator nano satellite, based on SPA and advanced miniaturized multifunctional electronics

Mission:

- Qualify a miniaturized Point-of-Load, DC/DC converter developed by AAC
- Establish a low-cost platform for annual or bi-annual flight opportunities to test subsystems and technologies



Architecture

V1-QSPnP1 2011-02-04

