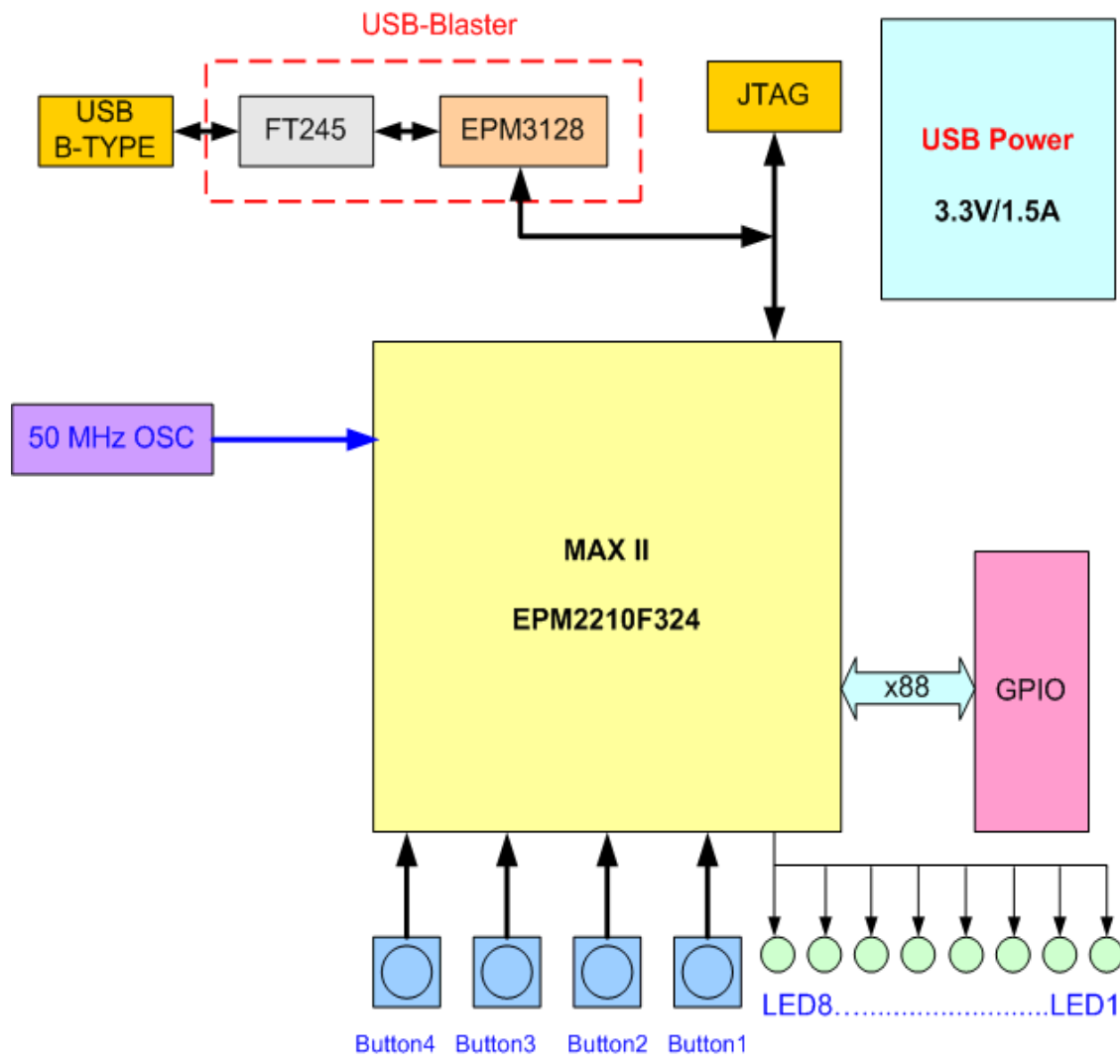


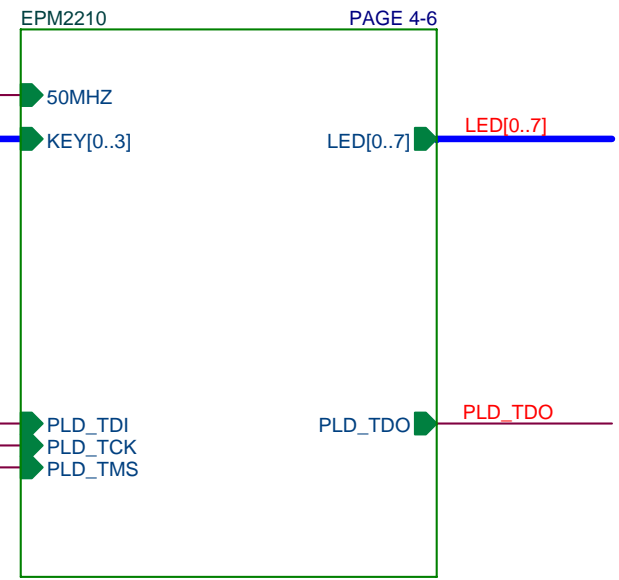
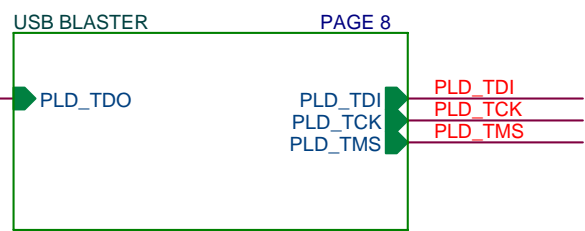
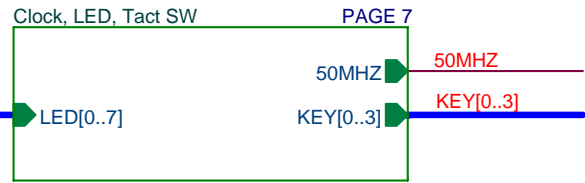
Altera MAX II Development & Education Board

DE nano

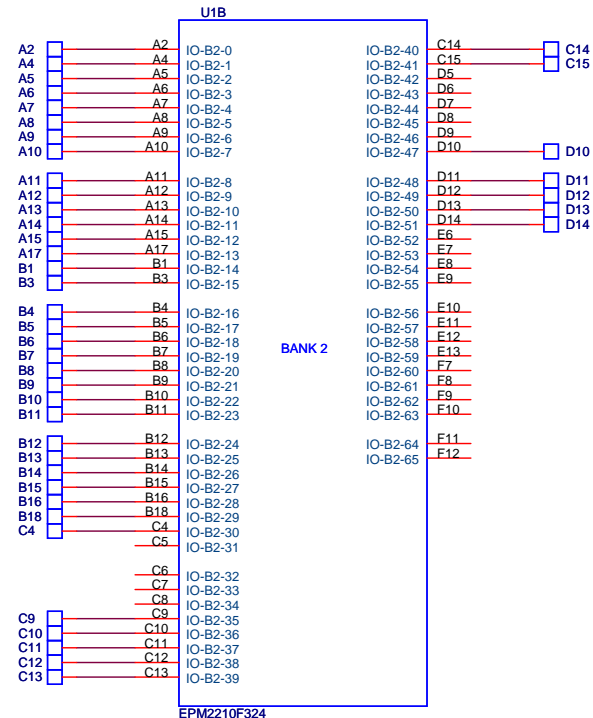
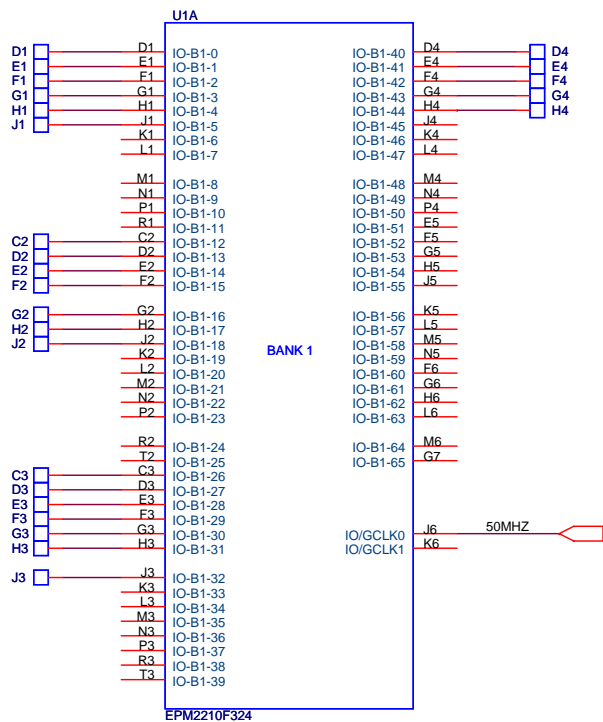
SCHEMATIC	CONTENT	PAGE
TOP	COVER PAGE, TOP	01 ~ 03
EPM2210F324	EPM2210 BANK1..BANK4, POWER, CONFIG	04 ~ 06
IN/OUT	CLOCK, BUTTON, LED	07
USB BLASTER	USB BLASTER	08

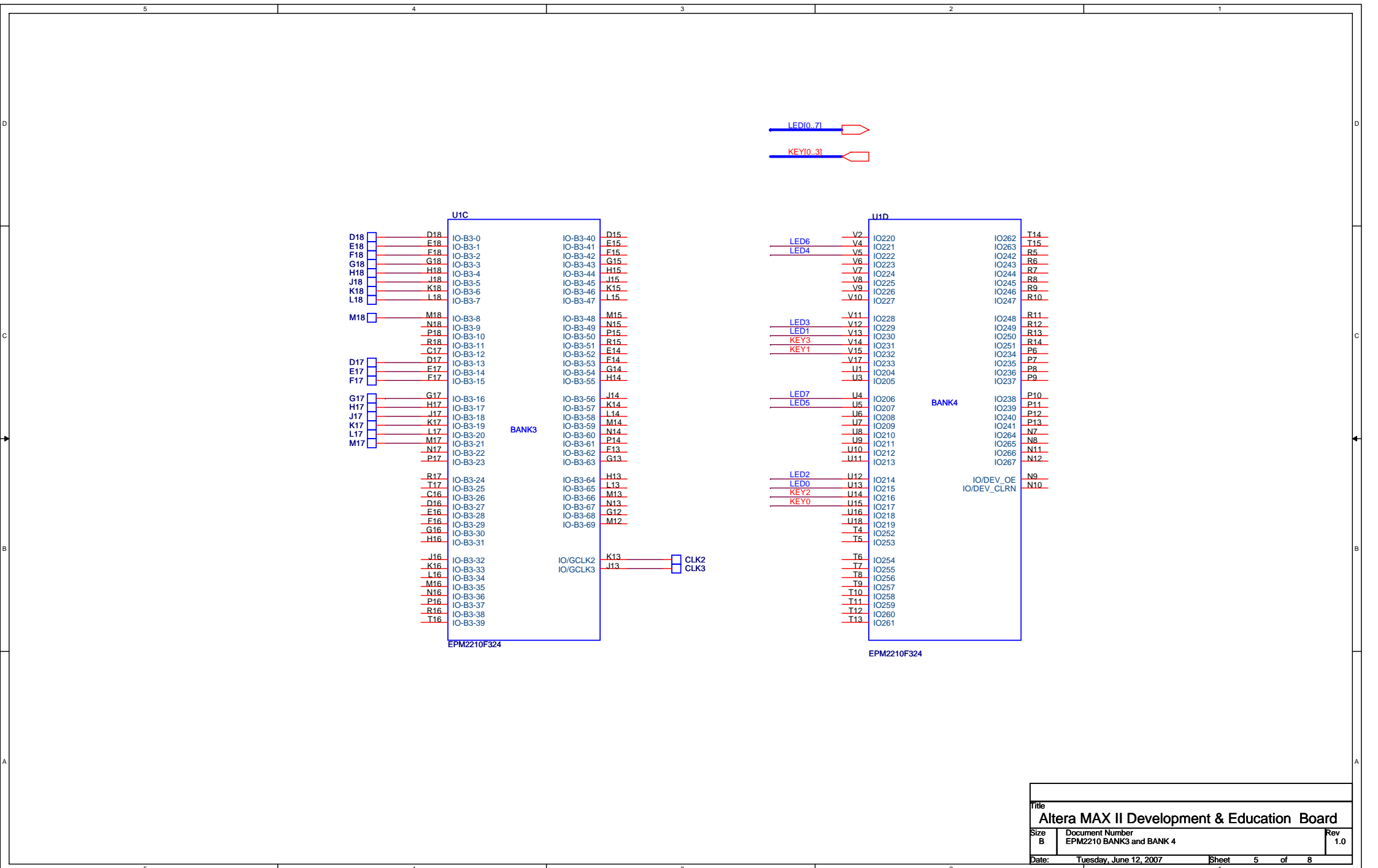


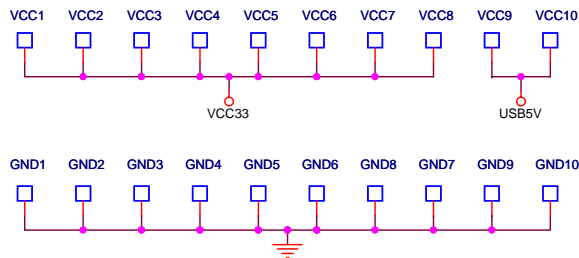
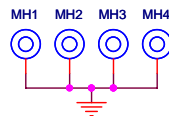
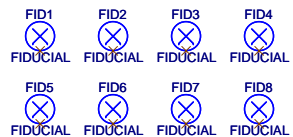
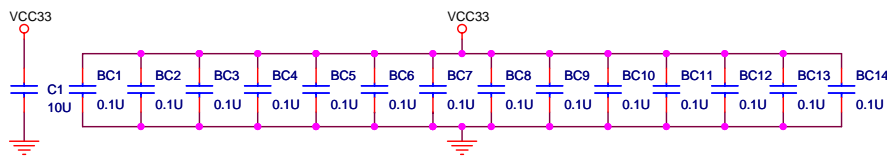
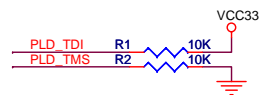
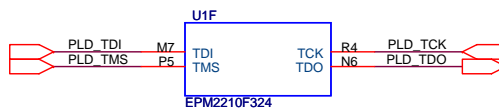
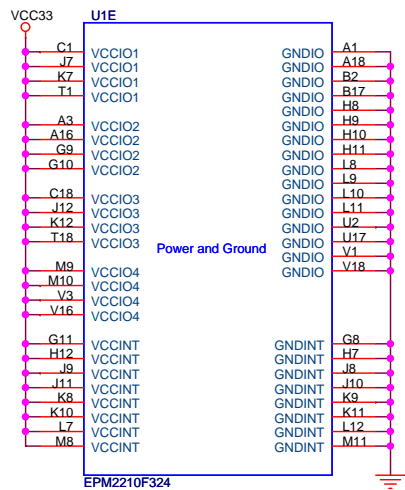
Title		
Altera MAX II Development & Education Board		
Size	Document Number	Rev
B	PLACEMENT	1.0
Date:	Tuesday, April 17, 2007	Sheet 2 of 8

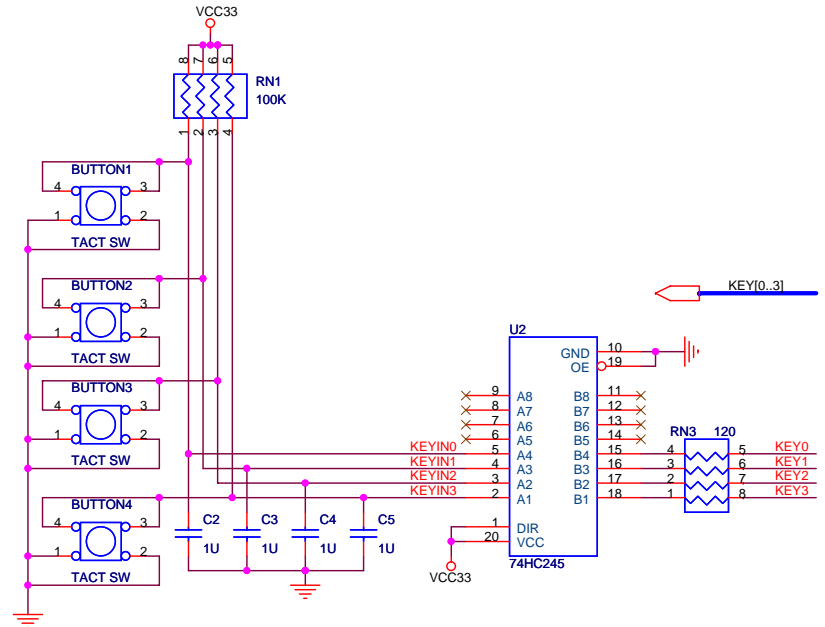
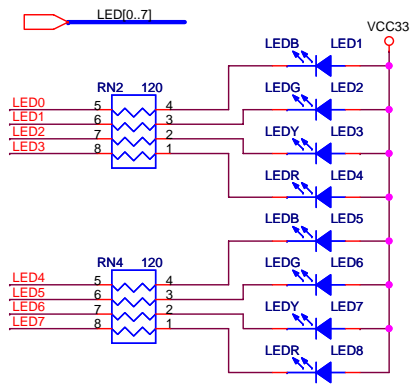
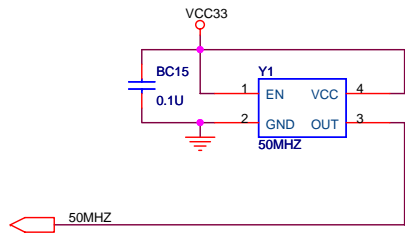


Title		
Altera MAX II Development & Education Board		
Size	Document Number	Rev
A	TOP LEVEL	1.0
Date:	Tuesday, June 12, 2007	Sheet 3 of 8

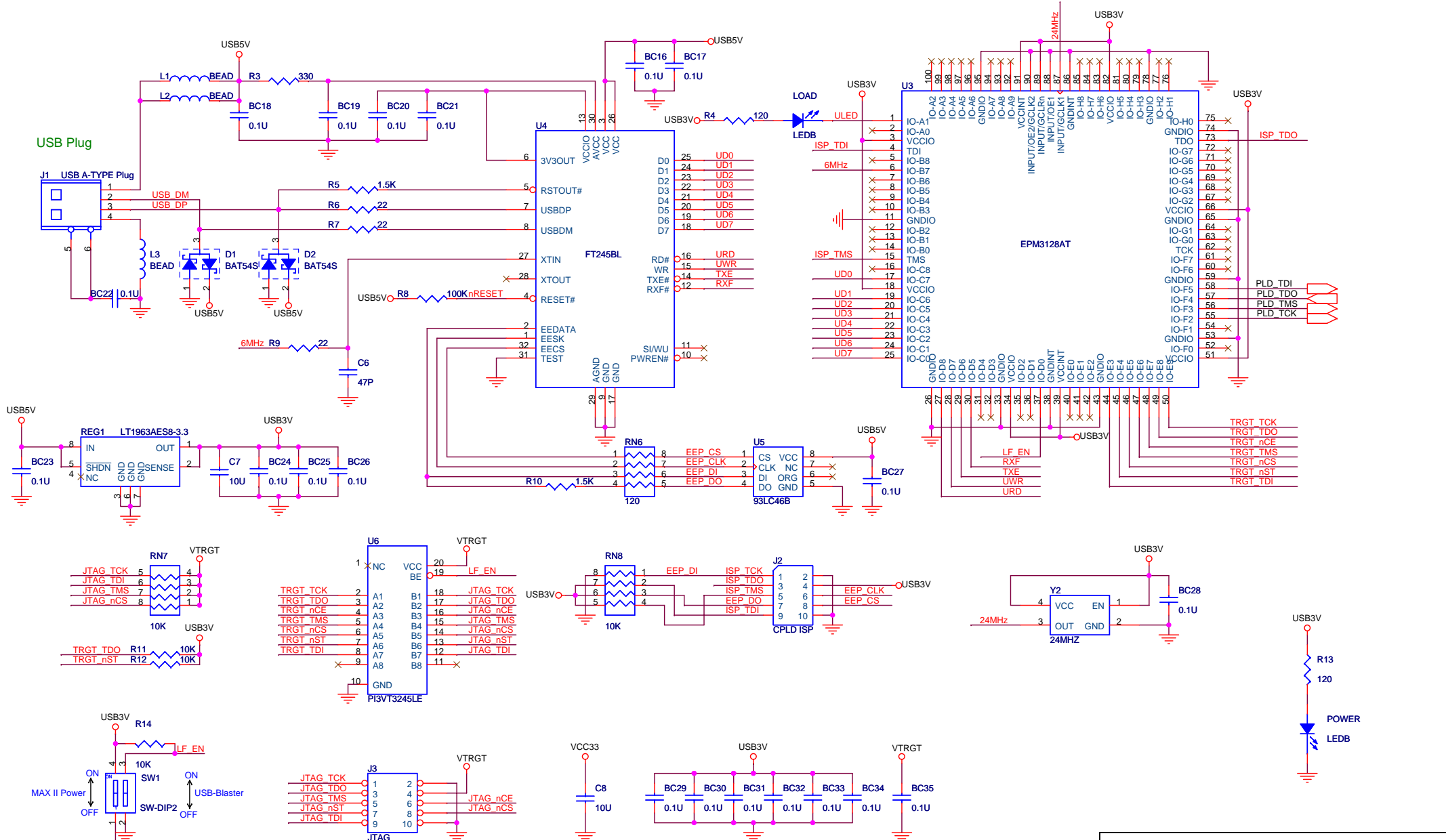








USB Plug



Title		
Altera MAX II Development & Education Board		
Size	Document Number	Rev
B	USB BLASTER	1.0
Date:	Tuesday, June 12, 2007	Sheet 8 of 8