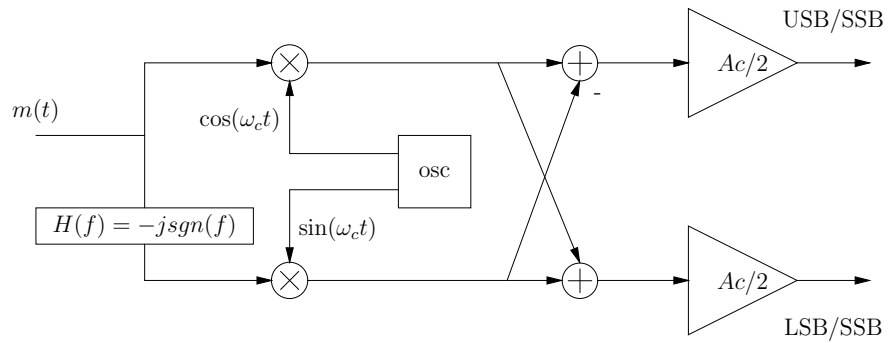


# EE 545: Homework 1

- Given the following implementation of the single side-band modulation system. Prove that the upper link gives the lower side-band and the lower link give the lower side-band.



- Answer the following problems from the book.
  - 2.7
  - 2.12
  - 2.14
  - 2.18