

- **Using the stack and the stack pointer**
 - The Stack and Stack Pointer
 - The stack is a memory area for temporary storage
 - The stack pointer points to the last byte in the stack
 - Some instructions which use the stack, and how data is saved and retrieved off the stack
 - Subroutines and the stack
 - An example of a simple subroutine
 - Using a subroutine with PORTA to make a binary counter on LEDs

TIPS FOR WRITING PROGRAMS

1. Think about how data will be stored in memory.
 - Draw a picture
2. Think about how to process data
 - Draw a flowchart
3. Start with big picture. Break into smaller parts until reduced to individual instructions
 - Top-down design
4. Use names instead of numbers

Another Example of an Assembly Language Program

- Find the average of the numbers in an array of data.
- The numbers are 8-bit unsigned numbers.
- The address of the first number is \$E000 and the address of the final number is \$E01F. There are 32 numbers.
- Save the result in a variable called *answer* at address \$2000.

Start by drawing a picture of the data structure in memory:

FIND AVERAGE OF NUMBERS IN ARRAY FROM 0xE000 TO 0xE01F

Treat numbers as 8-bit unsigned numbers

4	0xE000
5	
1	
8	
6	
11	
...	
	0xE01F

Write program

;Program to average 32 numbers in a memory array

prog: equ \$2000

data: equ \$1000

array: equ \$E000

len: equ 32

org prog

ldx #array ; initialize pointer

ldy #0 ; initialize sum to 0

loop: ldab 0,x ; get number

aby ; odd - add to sum

inx ; point to next entry

cpx #(array+len) ; more to process?

blo loop ; if so, process

tfr y,d ; to divide, need dividend in D

ldx #len ; to divide, need divisor in X

idiv ; D/X quotient in x, remainder in D

stx answer ; done – save answer

swi

org data

answer: ds.w 1 ; reserve 16-bit word for answer

- Important: Comment program so it is easy to understand.

The Stack and the Stack Pointer

- Sometimes it is useful to have a region of memory for temporary storage, which does not have to be allocated as named variables.
- When we use subroutines and interrupts it will be essential to have such a storage region.
- Such a region is called a *Stack*.
- The **Stack Pointer** (SP) register is used to indicate the location of the last item put onto the stack.
- When you put something onto the stack (**push onto the stack**), the SP is decremented before the item is placed on the stack.
- When you take something off of the stack (**pull from the stack**), the SP is incremented after the item is pulled from the stack.
- Before you can use a stack **you have to initialize the Stack Pointer** to point to one value higher than the highest memory location in the stack.
- For the MC9S12 put the stack **at the top of the data space**
 - For most programs, use \$1000 through \$2000 for data.
 - For this region of memory, initialize the stack pointer to \$2000.
 - If you need more space for data and the stack, and less for your program, move the program to a higher address, and use this for the initial value of the stack pointer.

- Use the **LDS** (Load Stack Pointer) instruction to initialize the stack point.
- The LDS instruction is usually the first instruction of a program which uses the stack.
- The stack pointer is **initialized only one time** in the program.
- For microcontrollers such as the MC9S12, it is up to the programmer to know how much stack his/her program will need, and to make sure enough space is allocated for the stack.

If not enough space is allocated the stack can overwrite data and/or code, which will cause the program to malfunction or crash.

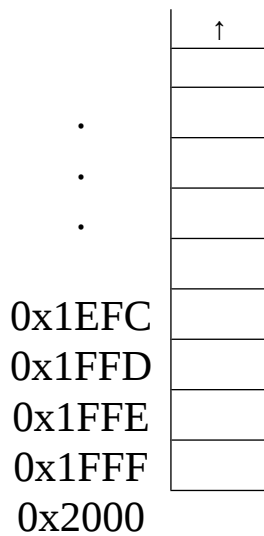
The stack is an array of memory dedicated to temporary storage

SP points to the location last item placed in block

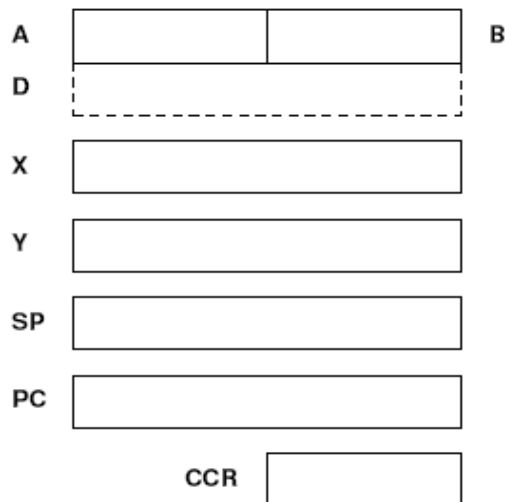
SP **decreases** when you put an item on stack

SP **increases** when you pull item from stack

For HC12 EVBU, use **0x2000** as initial SP:

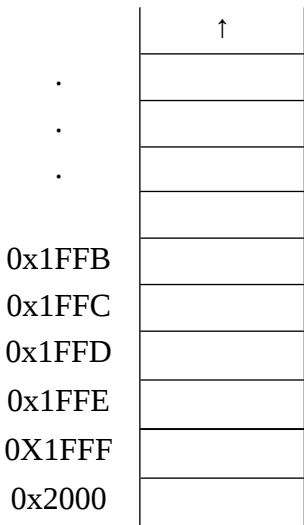


**STACK: EQU \$2000
LDS #STACK**



An example of some code which used the stack

Stack Pointer



Initialize ONCE before first use (LDS #STACK)

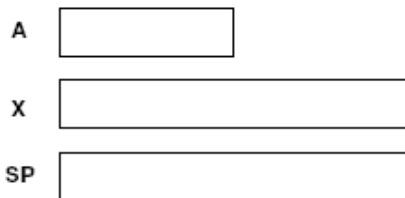
Points to last used storage location

Decreases when you put something on stack

Increases when you take something off stack

```
STACK: equ $2000
CODE:  org $2000
```

```
lds  #STACK
ldaa #$2e
ldx  #$1254
psha
pshx
cra
ldx  #$ffff
```



CODE THAT USES A & X

```
pulx
pula
```


PSHA

Push A onto Stack

PSHA

Operation: $(SP) - \$0001 \Rightarrow SP$
 $(A) \Rightarrow M_{(SP)}$

Description: Stacks the content of accumulator A. The stack pointer is decremented by one. The content of A is then stored at the address the SP points to.

Push instructions are commonly used to save the contents of one or more CPU registers at the start of a subroutine. Complementary pull instructions can be used to restore the saved CPU registers just before returning from the subroutine.

CCR Details:

S	X	H	I	N	Z	V	C
-	-	-	-	-	-	-	-

Source Form	Address Mode	Object Code	Access Detail	
			HCS12	M68HC12
PSHA	INH	36	0s	0s

PSHX

Push Index Register X onto Stack

PSHX

Operation: $(SP) - \$0002 \Rightarrow SP$
 $(X_H : X_L) \Rightarrow M_{(SP)} : M_{(SP+1)}$

Description: Stacks the content of index register X. The stack pointer is decremented by two. The content of X is then stored at the address to which the SP points. After PSHX executes, the SP points to the stacked value of the high-order half of X.

Push instructions are commonly used to save the contents of one or more CPU registers at the start of a subroutine. Complementary pull instructions can be used to restore the saved CPU registers just before returning from the subroutine.

CCR Details:

S	X	H	I	N	Z	V	C
-	-	-	-	-	-	-	-

Source Form	Address Mode	Object Code	Access Detail	
			HCS12	M68HC12
PSHX	INH	34	0s	0s

PULA

Pull A from Stack

PULA

Operation: $(M_{(SP)}) \Rightarrow A$
 $(SP) + \$0001 \Rightarrow SP$

Description: Accumulator A is loaded from the address indicated by the stack pointer. The SP is then incremented by one.

Pull instructions are commonly used at the end of a subroutine, to restore the contents of CPU registers that were pushed onto the stack before subroutine execution.

CCR Details:

S	X	H	I	N	Z	V	C
-	-	-	-	-	-	-	-

Source Form	Address Mode	Object Code	Access Detail	
			HCS12	M68HC12
PULA	INH	32	uFO	uFO

PULX

Pull Index Register X from Stack

PULX

Operation: $(M_{(SP)} : M_{(SP+1)}) \Rightarrow X_H : X_L$
 $(SP) + \$0002 \Rightarrow SP$

Description: Index register X is loaded from the address indicated by the stack pointer. The SP is then incremented by two.

Pull instructions are commonly used at the end of a subroutine to restore the contents of CPU registers that were pushed onto the stack before subroutine execution.

CCR Details:

S	X	H	I	N	Z	V	C
-	-	-	-	-	-	-	-

Source Form	Address Mode	Object Code	Access Detail	
			HCS12	M68HC12
PULX	INH	30	UFO	UFO

Subroutines

- A subroutine is a section of **code which performs a specific task**, usually a task which needs to be executed by different parts of a program.

- Example:

 - Math functions, such as *square root*

- Because a subroutine can be called from different places in a program, you cannot get out of a subroutine with an instruction such as

jmp label

because you would need to jump to different places depending upon which section of code called the subroutine.

- When you call a subroutine, your code saves the address where the subroutine should return to. It does this by saving the return address on the stack.

 - This is done automatically for you when you get to the subroutine by using the **JSR** (Jump to Subroutine) or **BSR** (Branch to Subroutine) instruction. This instruction **pushes the address** of the instruction following the **JSR/BSR** instruction **on the stack**.

- After the subroutine is done executing its code it needs to return to the address saved on the stack.

– This is done automatically for you when you return from the subroutine by using the **RTS** (Return from Subroutine) instruction. This instruction **pulls the return address off of the stack** and loads it into the program counter, so the program resumes execution of the program with the instruction following that which called the subroutine.

The subroutine will probably need to use some MC9S12 registers to do its work. However, the calling code may be using its registers for some reason - the calling code may not work correctly if the subroutine changes the values of the MCs9S12 registers.

– To avoid this problem, the subroutine should save the MC9S12 registers before it uses them, and restore the MC9S12 registers after it is done with them.

BSR

Branch to Subroutine

BSR

Operation $(SP) - \$0002 \Rightarrow SP$
 $RTN_H:RTN_L \Rightarrow M_{SP}:M_{SP+1}$
 $(PC) + \$0002 + \text{rel} \Rightarrow PC$

Sets up conditions to return to normal program flow, then transfers control to a subroutine. Uses the address of the instruction after the BSR as a return address.

Decrements the SP by two, to allow the two bytes of the return address to be stacked.

Stacks the return address (the SP points to the high byte of the return address).

Branches to a location determined by the branch offset.

Subroutines are normally terminated with an RTS instruction, which restores the return address from the stack.

CCR

Effects

S	X	H	I	N	Z	V	C
-	-	-	-	-	-	-	-

Code and CPU Cycles

Source Form	Address Mode	Machine Code (Hex)	CPU Cycles
BSR rel8	REL	07 FF	5PPP

RTS

Return from Subroutine

RTS

Operation $(M_{SP}): (M_{SP+1}) \Rightarrow PC_H:PC_L$
 $(SP) + \$0002 \Rightarrow SP$

Restores the value of PC from the stack and increments SP by two. Program execution continues at the address restored from the stack.

CCR

Effects

S	X	H	I	N	Z	V	C
-	-	-	-	-	-	-	-

Code and CPU Cycles

Source Form	Address Mode	Machine Code (Hex)	CPU Cycles
RTS	INH	3D	0E PPP

Example of a subroutine to delay for a certain amount of time

; Subroutine to wait for 100 ms

```
delay:   ldaa  #100      ; execute outer loop 100 times
loop2:   ldx   #8000    ; want inner loop to last 1ms
loop1:   dbne  x,loop1  ; inner loop – 3 cycles x 8000 times
         dbne  a,loop2
         rts
```

- Want inner loop to last for 1 ms. MC9S12 runs at 24,000,000 cycles/second, so 1 ms is 24,000 cycles.
- Inner loop should be 24,000 cycles/ (3 cycles/loop) = 8,000 loops (times)
- **Problem:** The subroutine changes the values of registers A and X
- To solve this problem, save the values of A and X on the stack before using them, and restore them before returning.

; Subroutine to wait for 100 ms

```
delay:   psha          ; save registers
         pshx
         ldaa #100     ; execute outer loop 100 times
loop2:   ldx   #8000    ; want inner loop to last 1ms
loop1:   dbne  x,loop1  ; inner loop – 3 cycles x 8000 times
         dbne  a,loop2
         pulx          ; restore registers in opposite order
         pula
         rts
```

; Program to make a binary counter on LEDs
; The program uses a subroutine to insert a delay between counts
; Does not work on Dragon12-Plus. Need to write to PTJ to
; enable LEDs

```
prog:    equ  $2000  
data:    equ  $1000  
STACK:  equ  $2000  
PORTB:  equ  $0001  
DDRB:   equ  $0003
```

```
org prog
```

```
lds  #STACK ; initialize stack pointer  
ldaa #$ff   ; put all ones into DDRB  
staa DDRB   ; to make PORTB output  
clr  PORTB  ; put $00 into PORTB  
loop:  jsr  delay ; wait a bit  
inc  PORTB  ; add one to PORTB  
bra  loop   ; repeat forever
```

; Subroutine to wait for a few milliseconds

```
delay:  psha           ; save registers  
        pshx  
        ldaa #100      ; Execute outer loop 100 times  
loop2:  ldx  #8000    ; Want inner loop to last 1 ms  
loop1:  dbne x,loop1  ; Inner loop – 3 cyclesx8000 times  
        dbne a,loop2  
        pulx           ; restore registers  
        pula  
        rts
```

Another example of using a subroutine

Using a subroutine to wait for an event to occur, then take an action.

- Wait until bit 7 of address \$00CC is set.
- Write the value in ACCA to address \$00CF.

*; This routine waits until the MC9S12 serial port is ready, then
; sends a byte of data to the MC9S12 serial port*

```
putchar: brclr $00CC,#$80,putchar
          staa $00CF
          rts
```

- Program to send the word hello, world! to the MC9S12 serial port

*; Program fragment to write the word "hello, world!" to the
; MC9S12 serial port*

```
          ldx #str
loop:     ldaa 1,x+      ; get next char
          beq done     ; char == 0 => no more
          jsr putchar
          bra loop
done:     swi

str:      dc.b "hello, world!"
          fc.b $0A,$0D,0 ; CR LF
```


Here is the complete program to write a message to the screen

```
prog:      equ   $2000
data:      equ   $1000
stack:     equ   $2000
SCI0SR1:   equ   $00CC      ; SCI0 status reg 1
SCI0DRL:   equ   $00CF      ; SCI0 data reg low

          org   prog

          lds   #stack
          ldx   #str
loop:     ldaa  1,x+          ; get next char
          beq   done         ; char == 0 => no more
          jsr   putchar
          bra   loop

done:swi

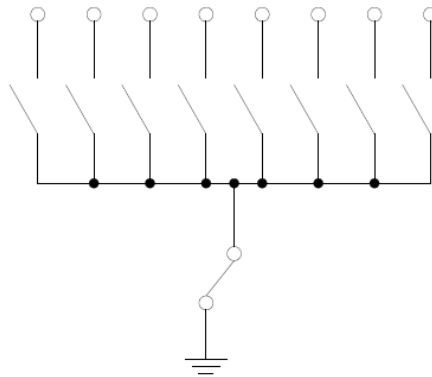
putchar:  brclr SCI0SR1,$80,putchar ; check for SCI ready
          staa  SCI0DRL        ; put character onto SCI
                                   ; port
          rts

          org   data
str:      fcc   "hello, world"
          dc.b  $0a,$0d,0      ; LF CR terminating zero
```

Using DIP switches to get data into the MC9S12

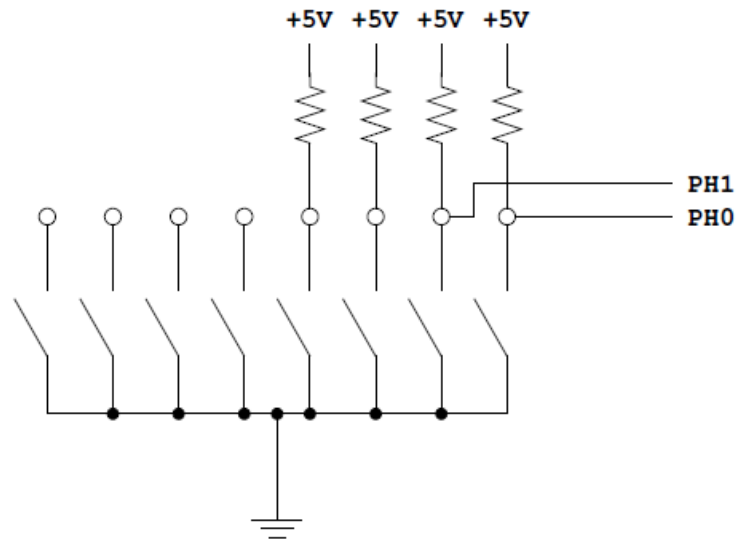
- DIP switches make or break a connection (usually to ground)

DIP Switches on Breadboard



- To use DIP switches, connect one end of each switch to a resistor
- Connect the other end of the resistor to +5 V
- Connect the junction of the DIP switch and the resistor to an input port on the MC9S12
- The Dragon12-Plus has eight dip switches connected to Port H (PTH)

Using DIP Switches



- When the switch is **open**, the input port sees a **logic 1** (+5 V)
- When the switch is **closed**, the input sees a **logic 0** (0 V)

Looking at the state of a few input pins

- Want to look for a particular pattern on 4 input pins
 - For example want to do something if pattern on PH3-PH0 is 0110
- Don't know or care what are on the other 4 pins (PH7-PH4)
- Here is the wrong way to doing it:

```
ldaa PTH
cmpa #$06
beq task
```

- If PH7-PH4 are anything other than 0000, you will not execute the task.
- You **need to mask out the Don't Care bits before** checking for the pattern on the bits you are interested in

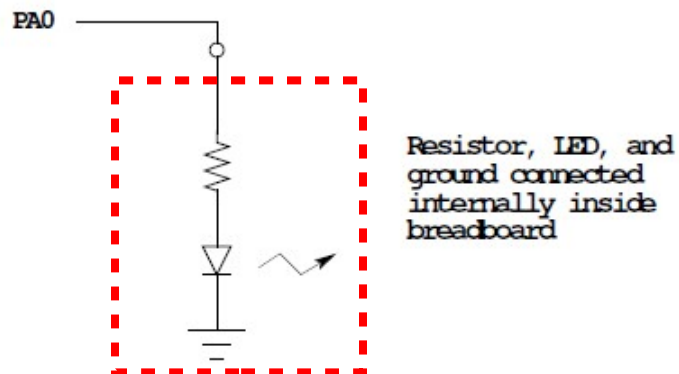
```
ldaa PTH
anda #%00001111
cmpa #%00000110
beq task
```

- Now, whatever pattern appears on PH7-4 is ignored

Using an MC9S12 output port to control an LED

- Connect an output port from the MC9S12 to an LED.

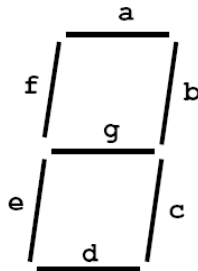
Using an output port to control an LED



When a current flows through an LED, it emits light

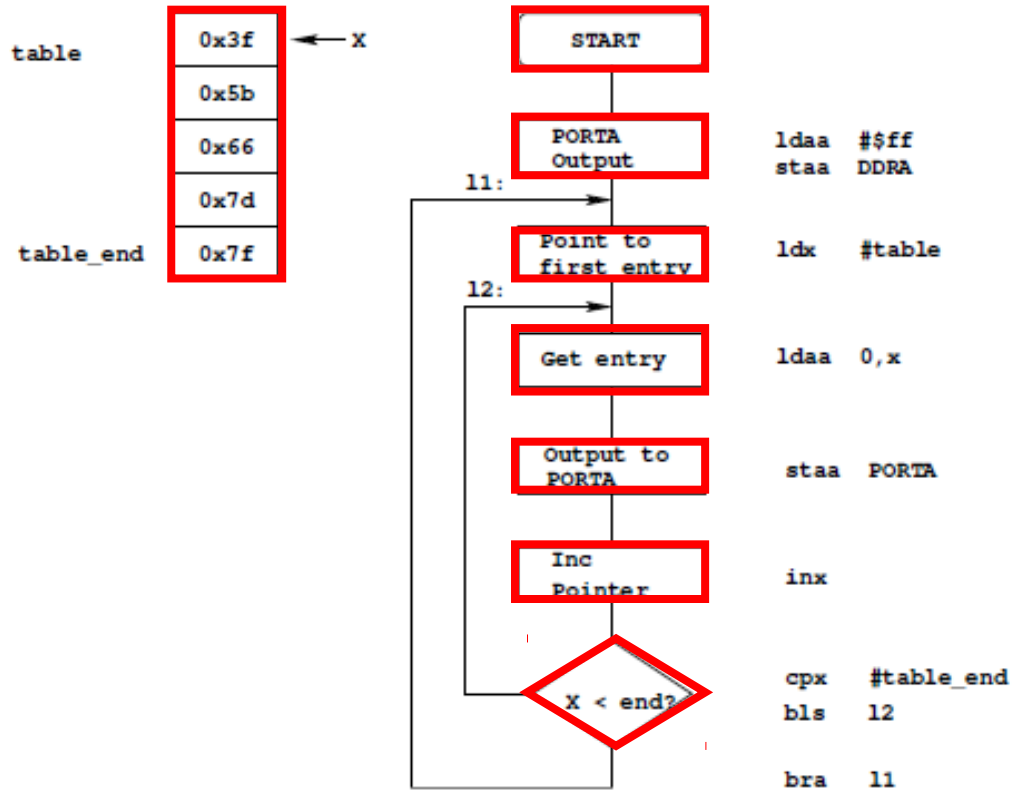
Making a pattern on a seven-segment LED

- Want to generate a particular pattern on a seven-segment LED:



- Determine a number (hex or binary) which will generate each element of the pattern
 - For example, to display a 0, turn on segments a, b, c, d, e and f, or bits 0, 1, 2, 3, 4 and 5 of PTH. The binary pattern is 0011 1111, or \$3f.
 - For example, to display a 2, turn on segments a, b, d, e and g, or bits 0, 1, 3, 4, and 6 of PTH. The binary pattern is 0101 1011, or \$5b.
 - To display numbers 0 2 4 6 8, the hex numbers are \$3f, \$5b, \$66, \$7d, \$7f.
- Put the numbers in a table
- Go through the table one by one to display the pattern
- When you get to the last element, repeat the loop

Flowchart to display a pattern of lights on a set of LEDs



*; Program to display a pattern or lights
; on a 7-segment display*

prog: equ \$2000
data: equ \$1000
stack: equ \$2000
PORTB: equ \$0001
DDRB: equ \$0003

org prog

lds #stack *; Initialize stack pointer*
ldaa #\$ff *; Make PTB output*
staa DDRB *; 0xFF -> DDRB*
l1: ldx #table *; Start pointer at table*
l2: ldaa 1, x+ *; Get value; point to next*
staa PORTB *; Update LEDs*
jsr delay *; Wait a bit*
cpx #table_end *; More to do?*
bls l2 *; Yes, keep going through table*
bra l1 *; At end; reset pointer*

delay: psha *; save A and X registers onto the Stack*
pshx
ldaa #100 *; loop 100 times the inner loop*
loop2: ldx #8000 *; the inner loop takes 1 ms*
loop1: dbne x,loop1
dbne a,loop2
pulx *; restore values of X and A registers*
pula
rts *; return from the subroutine*


```
org data
table:   dc.b   $3f   ; 0
         dc.b   $5b   ; 2
         dc.b   $66   ; 4
         dc.b   $7d   ; 6
table_end: dc.b   $7f   ; 8
```