

From Textbook

DRILL EXERCISE 2.7

For the circuit shown in Fig. DE2.7, use nodal analysis to find v_1 , v_2 , and v_3 .
 Answer: 6 V; 9 V; 10 V

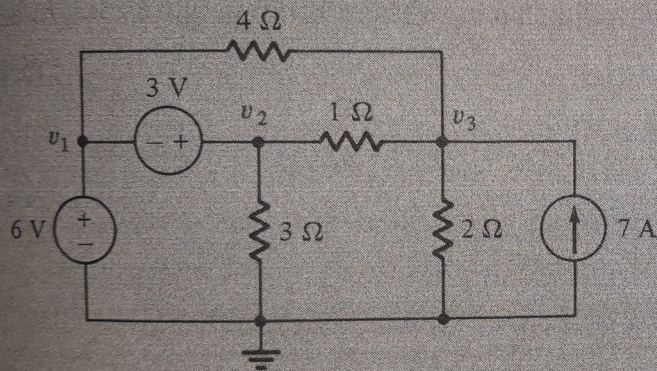


Fig. DE2.7

Problem 2.10 Find the node voltages v_1 , v_2 , v_3 , and v_4 for the circuit shown in Fig P2_10

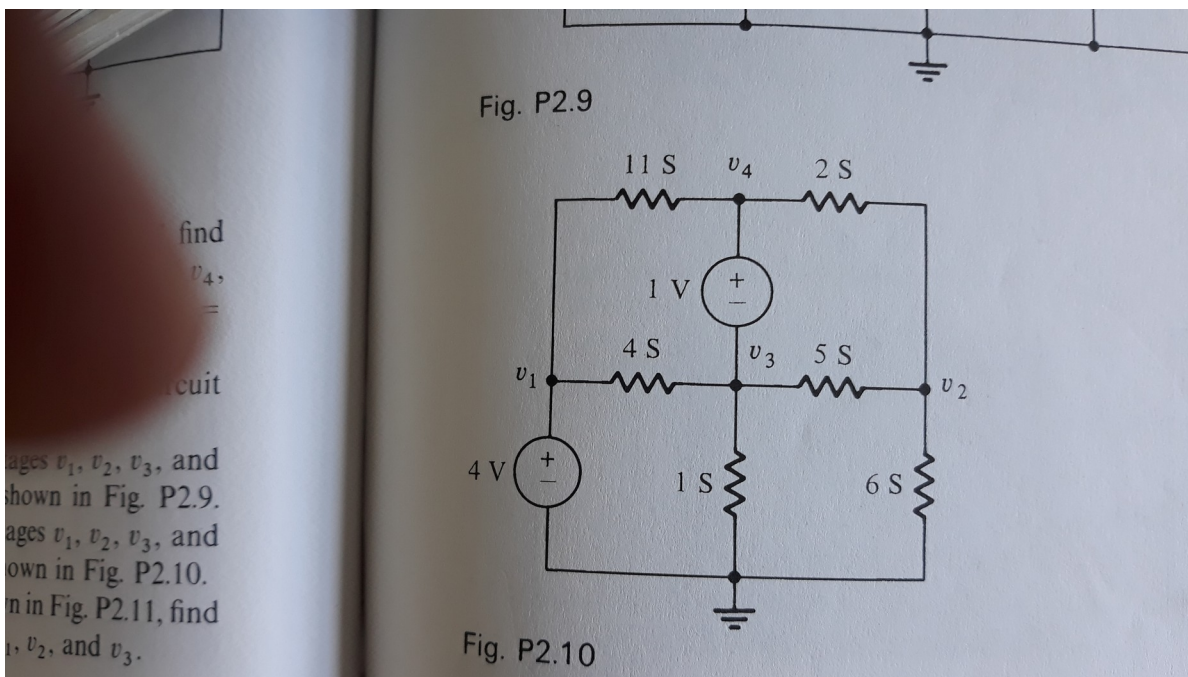


Fig. P2.9

Fig. P2.10

Problem 2.14 For the circuit shown in Fig. P2.14, find (a) the node voltages v_1 , v_2 , and v_3 , b) v_s , and c) $R_{eq} = v_s/i_s$ seen by the independent current source.

