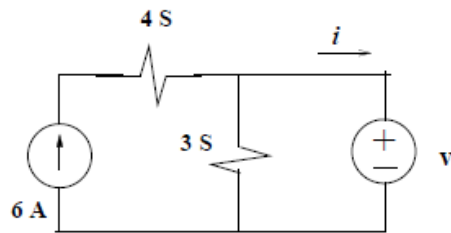
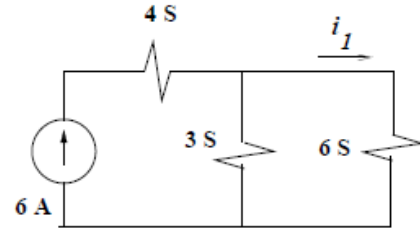


ES 332: Fall 2020, Practice Exam

- For circuit (a) shown in the figure below, find i when the voltage source $v = 2V$
 - For circuit (b) shown in the figure below, find i_1

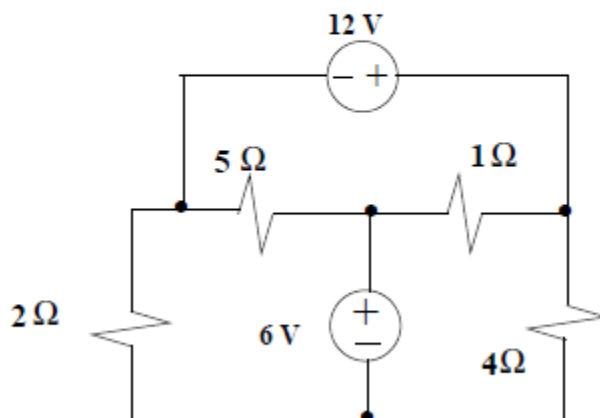


(a)

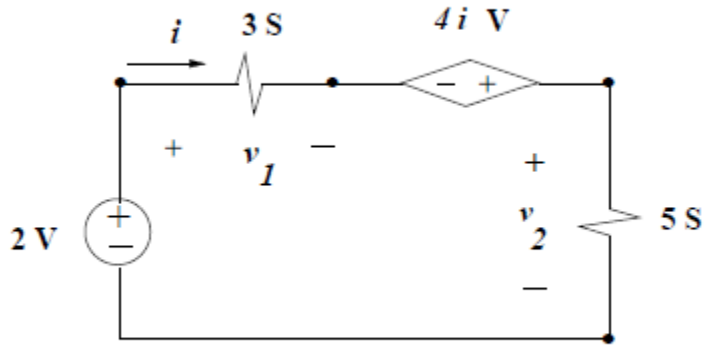


(b)

- For the circuit shown in the figure below, use mesh analysis to find
 - The current directed to the right, through the 12-V source
 - The current, directed down, through the 6-V source



3. For the circuit shown in the figure below, determine the values of v_1 and v_2



4. For the circuit shown in the figure below,

- (a) Find i_s ,
- (b) Find the resistance R_{eq} seen by the current source.

