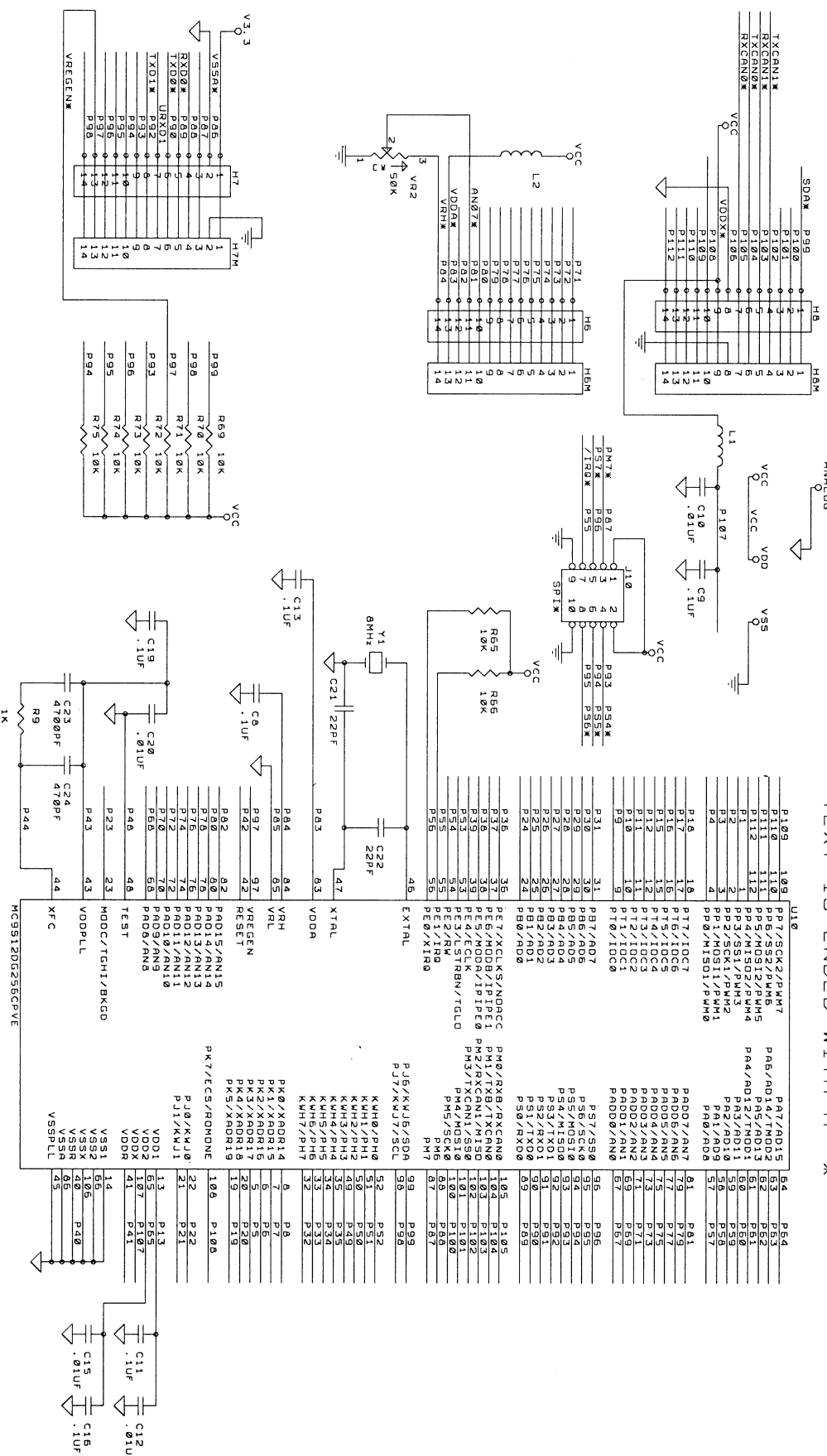
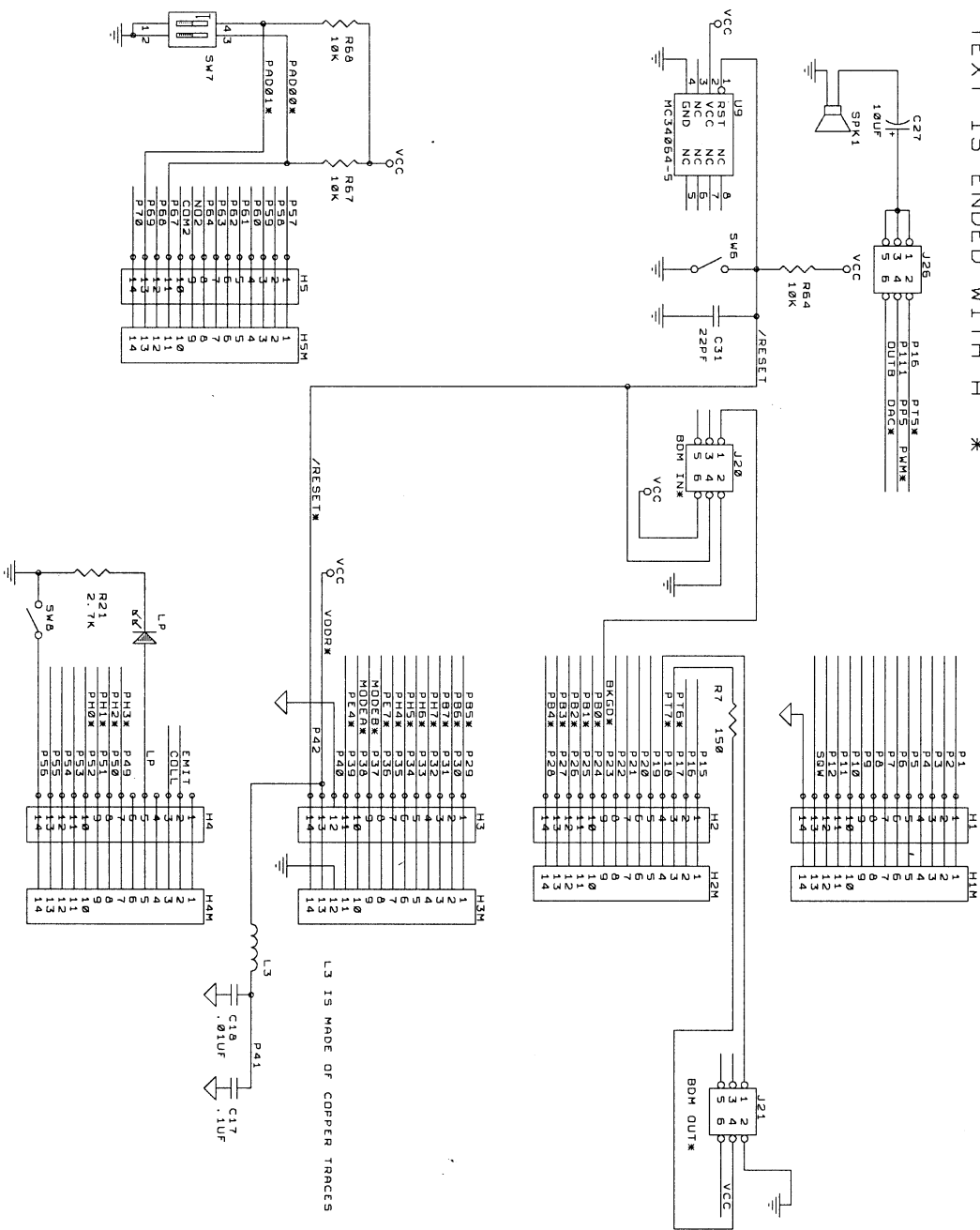


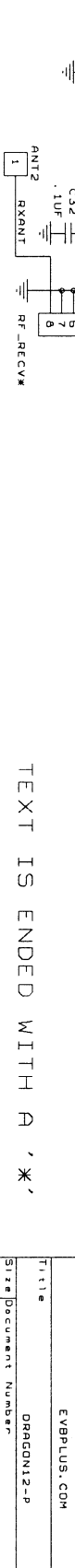
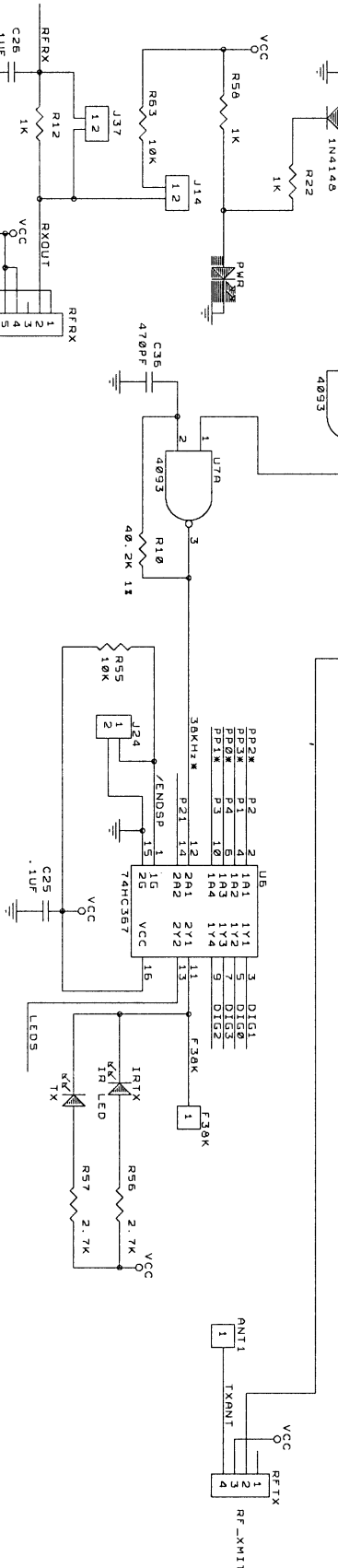
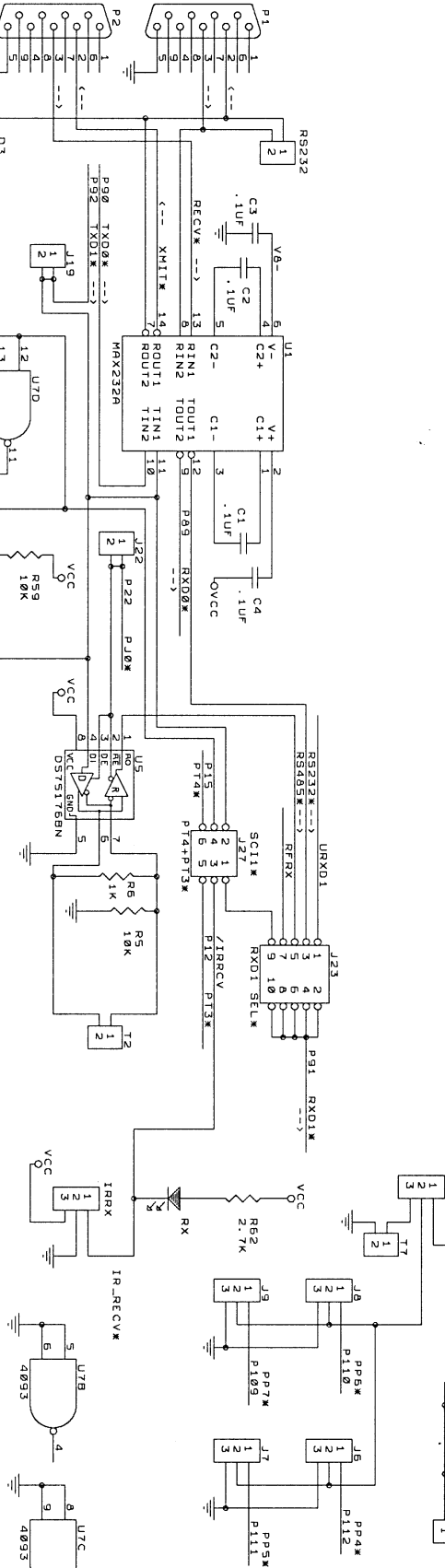
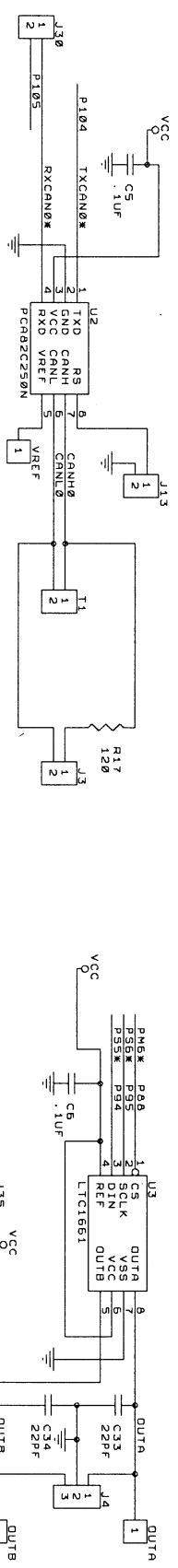
L1 AND L2 ARE MADE OF COPPER TRACES

TEXT IS ENDED WITH A \* \*



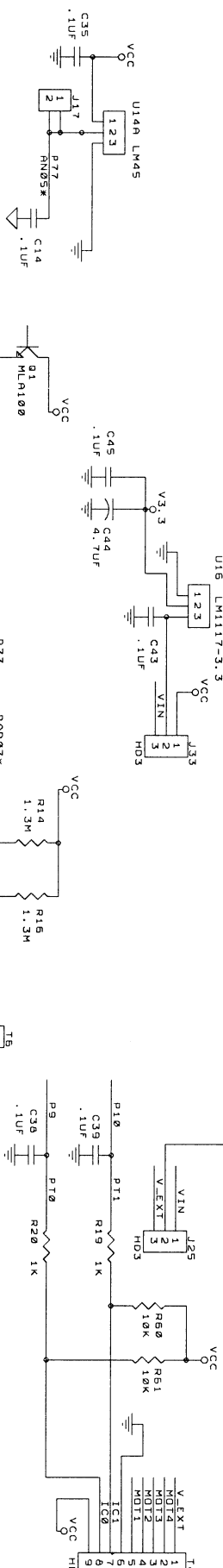
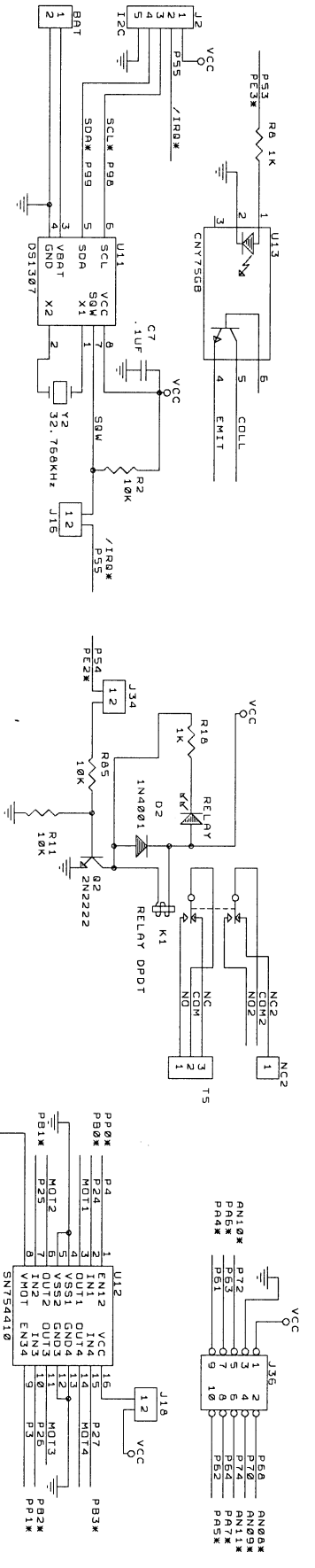
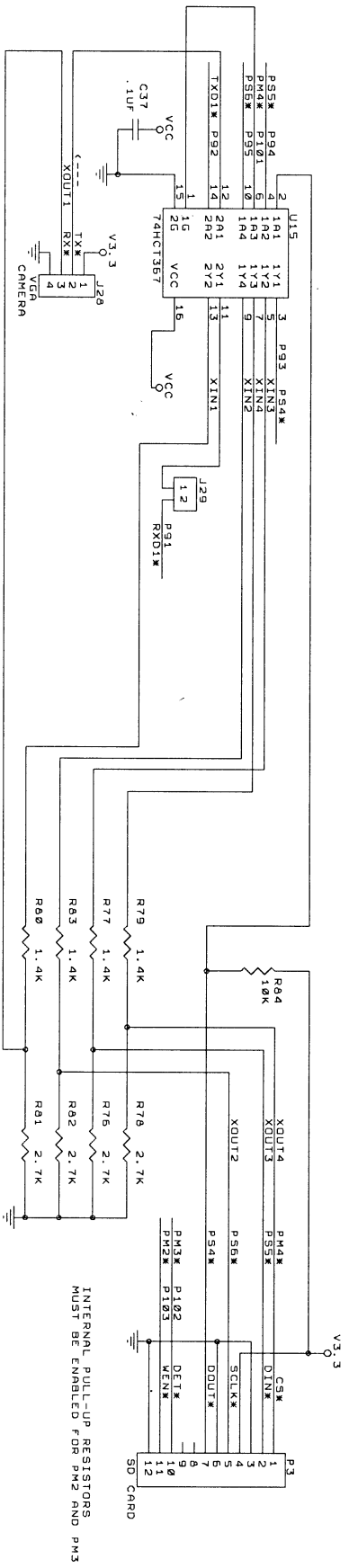
TEXT IS ENDED WITH A '\*'





TEXT IS ENDED WITH A '\*'





INTERNAL PULL-UP RESISTORS  
 MUST BE ENABLED FOR PM2 AND PM3

Title DRAGON12-P	EVBPLUS.COM
Size Document Number 11121-F	REV F
Date October 6, 2008	Sheet 5 of 5