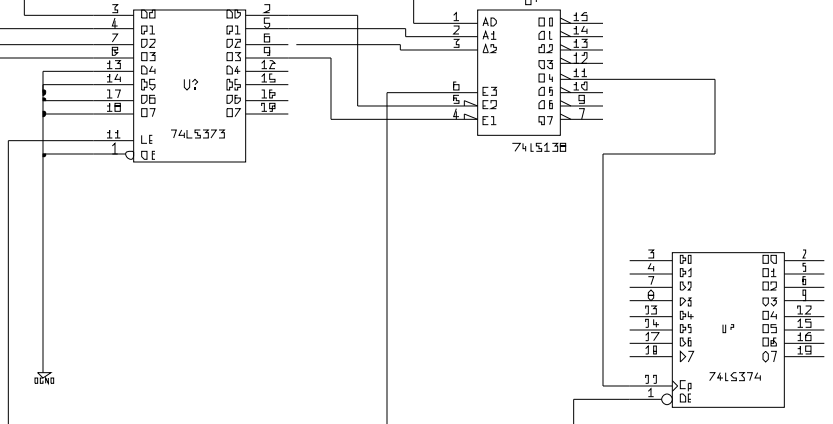


Pin	Function	Pin	Function
46	EXTAL	24	ADDR0/DATM/PB0
47	XTAL	25	ADDR1/DATA/PB1
23	KBG/TAG/MI/MDPC	26	ADDR2/DATA/PB2
42	RESET	27	ADDR3/DATA/PB3
44	XFC	28	ADDR4/DATA/PB4
43	VDDPLL	29	ADDR5/DATA/PB5
45	VSSPLL	30	ADDR6/DATA/PB6
56	FEQ/XIRQ	31	ADDR7/DATA/PB7
55	PE1/IRQ	67	ADDR8/DATA/PAB
54	PE2/RM	68	ADDR9/DATA/PA1
53	PE3/TAGLQ/LSTRB	69	ADDR10/DATA/PA2
38	PE4/CLK	70	ADDR11/DATA/PA3
39	PE5/MDBA	71	ADDR12/DATA/PA4
37	PE6/MDDB	72	ADDR13/DATA/PA5
36	PE7/NOACC/XCLKS	73	ADDR14/DATA/PA6
48	TEST	74	ADDR15/DATA/PA7
9	PT0/IDC0	8	XADDR14/PK0
10	PT1/IDC1	7	XADDR15/PK1
11	PT2/IDC2	6	XADDR16/PK2
12	PT3/IDC3	5	XADDR17/PK3
15	PT4/IDC4	4	XADDR18/PK4
16	PT5/IDC5	3	XADDR19/PK5
17	PT6/IDC6	2	XADDR20/PK6
18	PT7/IDC7	1	XADDR21/PK7
84	VRH	99	RX0/P50
85	VRL	98	TX0/P51
67	PAD00/AN00	97	RX1/P52
68	PAD08/AN08	96	TX1/P53
69	PAD01/AN01	95	MS0/P54
70	PAD09/AN09	94	MS0/P54
71	PAD02/AN02	93	MS1/P55
72	PAD15/AN15	92	MS1/P55
73	PAD03/AN03	91	SS0/P56
74	PAD11/AN11	90	SS0/P56
75	PAD04/AN04	89	RXCAN0/RXB/P M0
76	PAD12/AN12	88	TXCAN0/TXB/P M1
77	PAD05/AN05	87	RXCAN1/RXCAN0/MS0/P M2
78	PAD13/AN13	86	TXCAN1/TXCAN0/SS0/P M3
79	PAD06/AN06	85	BF_P50N/RXCAN0/RXCAN4/MS10/P M4
80	PAD14/AN14	84	BF_PROK/TXCAN0/TXCAN4/SCK0/P M5
81	PAD07/AN07/ETRI00	83	BF_ER0/RXCAN4/P M6
82	PAD16/AN16/ETRI01	82	BF_PSLM/TXCAN4/P M7
52	PH0/KWH0/MS D1	22	KWJ0/P J0
51	PH1/KWH1/MS D11	21	KWJ1/P J1
50	PH2/KWH2/SC K1	99	KWJ6/RXCAN4/SDA/RXCAN0/P J6
49	PH3/KWH3/SS1	98	KWJ7/TXCAN4/SEL/TXCAN0/P J7
35	PH4/KWH4	4	MS01/PVM0/KWP0/PP0
34	PH5/KWH5	3	MS01/PVM1/KWP1/PP1
33	PH6/KWH6	2	SSK1/PVM2/KWP2/PP2
32	PH7/KWH7	1	SSK1/PVM3/KWP3/PP3
		112	PVM4/KWP4/PP4
		111	PVM5/KWP5/PP5
		110	PVM6/KWP6/PP6
		109	PVM7/KWP7/PP7



File: Et398_Lab5.sch
 \$sheet /
 Title
 Size: A4 Date: 11 apr 2012 Rev:
 KiCad EDA EESchema (2011-07-12 BZR 3947) - stable Id: 1/3