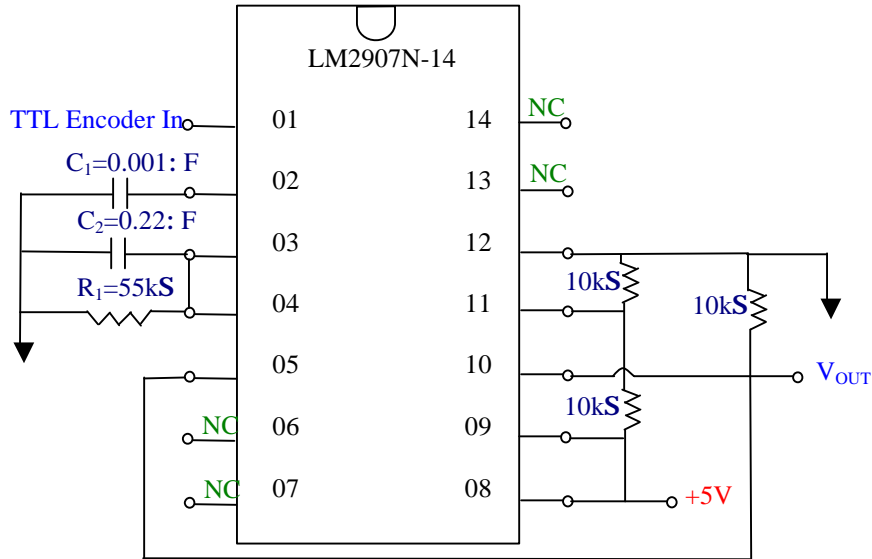


- Frequency to Voltage Converter (3.5V at 14.38kHz)
 - For precise output tuning R_1 can be replaced with a 50kS resistor in series with a 10kS pot.
 - With $R_1=517kS$ output is 2.79V at 1kHz.



- Quadrature Encoder to Counter Control Signals

