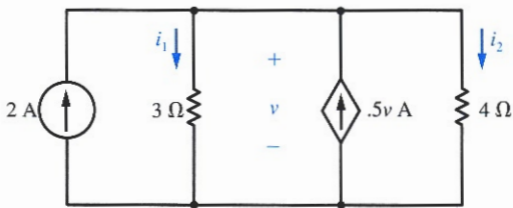


**Example 1.11**

Let us now consider the circuit given in Fig. 1.52. The voltage-dependent current source is specified as  $0.5v$  amperes, where  $v$  is the voltage across the  $3\text{-}\Omega$  resistor (also the  $4\text{-}\Omega$  resistor in this case). The units are  $\text{A/V}$ , or mhos—so it is a conductance current source.



**Fig. 1.52** Circuit with voltage-dependent current source.

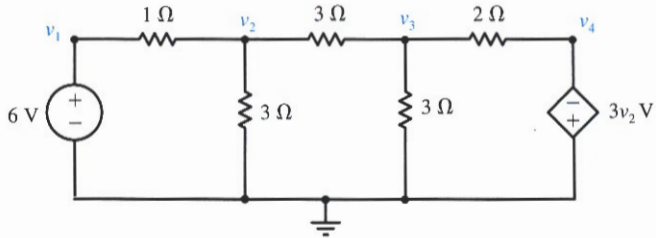
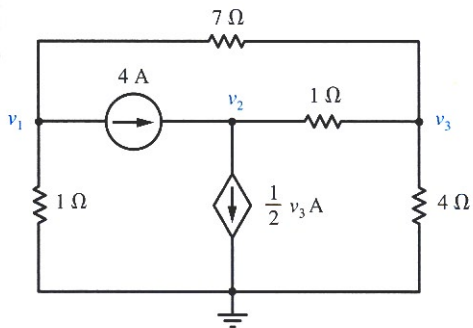


Fig. P2.7

**2.5** Find the node voltages for the circuit shown in Fig. P2.5.

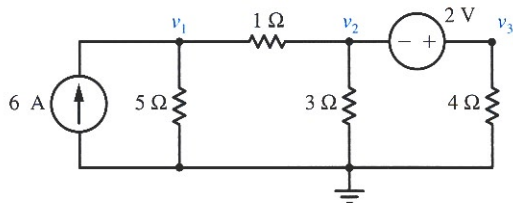


**Fig. P2.5**



**Fig. P2.8**

**2.9** Find the node voltages for the circuit shown in Fig. P2.9.



**Fig. P2.9**