

**1.21** For the circuit shown in Fig. P1.19, suppose that  $i_2 = -2$  A. Use the current-divider formula to determine  $i_1$ ,  $i_3$ ,  $i_4$ , and  $i_5$ .

**1.22** For the circuit given in Fig. P1.19, suppose that  $i_5 = 4$  A. Use the current-divider formula to determine  $i_1$ ,  $i_2$ ,  $i_3$ , and  $i_4$ .

**1.23** For the circuit shown in Fig. P1.23, suppose that  $i_1 = 2$  A. Find  $v$  for the case that (a)  $i_2 = 1$  A, (b)  $i_2 = 2$  A, and (c)  $i_2 = 3$  A.

**1.24** Consider the circuit shown in Fig. P1.23. Find  $v$  when (a)  $i_1 = 12$  A and  $i_2 = 6$  A, (b)  $i_1 = 6$  A and  $i_2 = 6$  A, (c)  $i_1 = 6$  A and  $i_2 = 12$  A.

**1.25** Find the variables indicated for the circuits shown in Fig. P1.25.

**1.26** Find the variables indicated for the circuits shown in Fig. P1.26. (See p. 48.)

**1.27** Find the variables indicated for the circuits shown in Fig. P1.27. (See p. 48.)

**1.28** For the circuit shown in Fig. P1.28, find the variables indicated when  $R$  is (a)  $2 \Omega$ , (b)  $4 \Omega$ , and (c)  $6 \Omega$ .

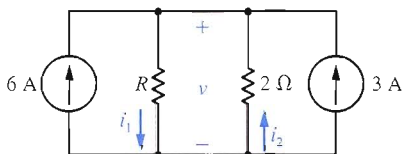


Fig. P1.28

**1.29** For the circuit shown in Fig. P1.29, find the variables indicated when  $R$  is (a)  $2 \Omega$ , (b)  $4 \Omega$ , and (c)  $6 \Omega$ .

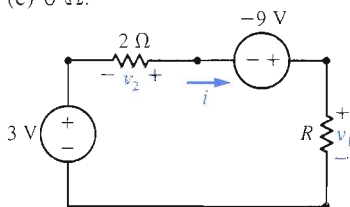


Fig. P1.29

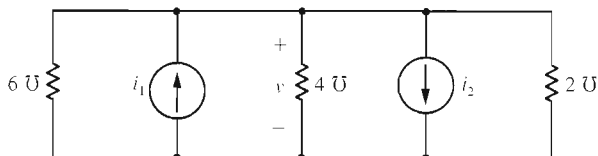
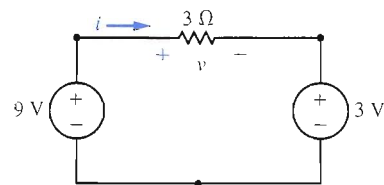
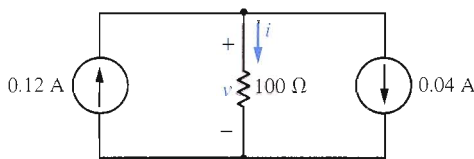


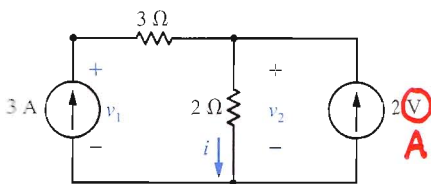
Fig. P1.23



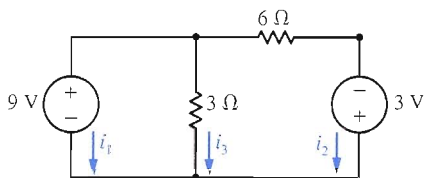
(a)



(b)



(c)



(d)

Fig. P1.25 a-d

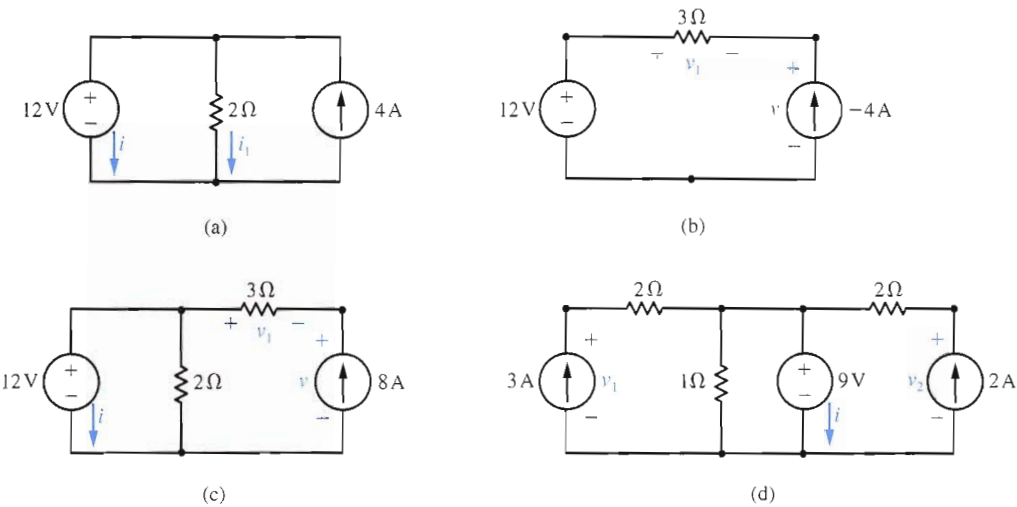


Fig. P1.26 a-d

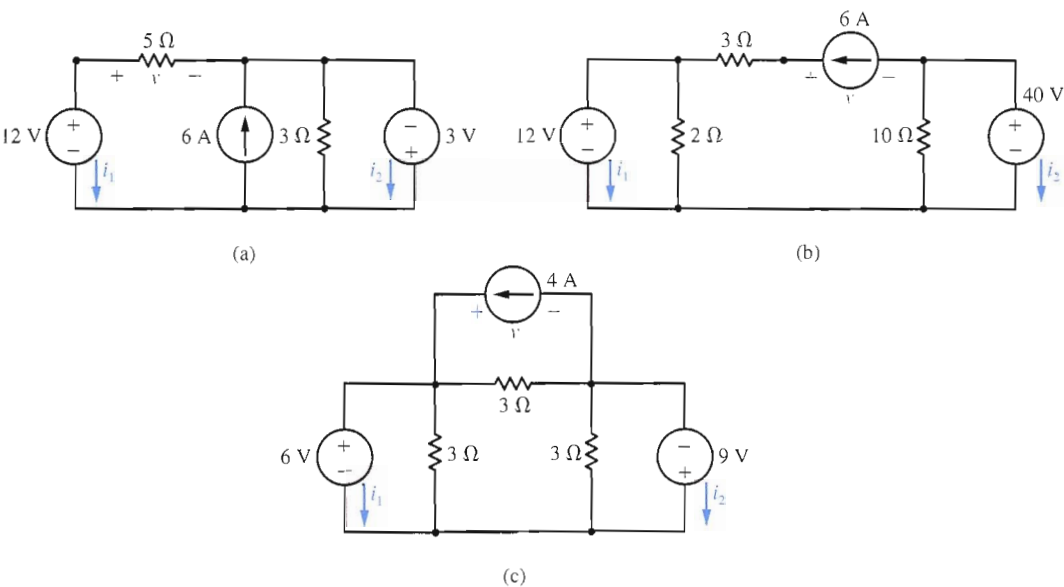


Fig. P1.27 a-c

**1.30** Find  $v$  and  $i$  for the series-parallel circuit shown in Fig. P1.30.

**1.31** Find  $v$  and  $i$  for the series-parallel circuit shown in Fig. P1.31.

**1.32** Consider the circuit shown in Fig. P1.32. (a) Find  $i$ ,  $v_1$ ,  $v_2$ , and  $v_3$ . (b) Remove the short circuit

between  $a$  and  $b$  (erase it), and find  $i$ ,  $v_1$ , and  $v_2$ . (Don't try to find  $v_3$ —it can't be done!)

**1.33** Consider the series-parallel circuit shown in Fig. P1.33. (a) Find  $V_s$  when  $v_1 = 2$  V. (b) Find  $V_s$  when  $i_3 = 3$  A. (c) Find  $V_s$  when  $i_5 = 4$  A. (d) What is the resistance  $R_{\text{eq}} = V_s/i$  loading the battery for part (a)? For part (b)? For part (c)?